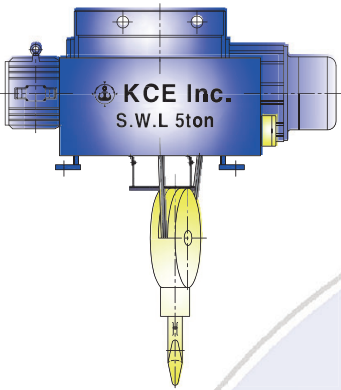
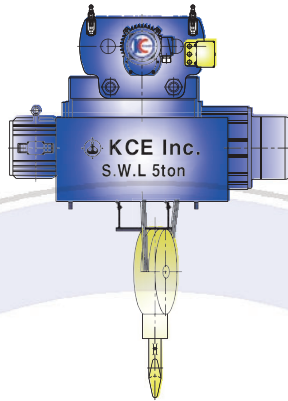


ELECTRIC WIRE ROPE HOIST(2ton~70ton)

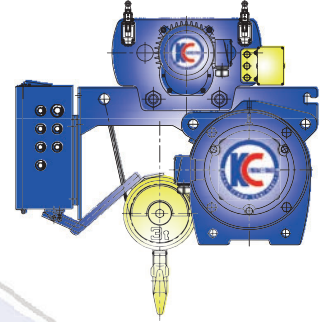
Foot Mounted Type



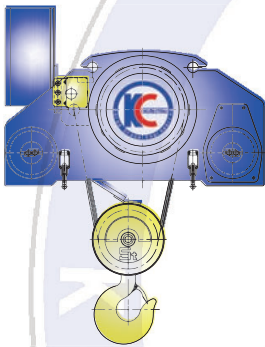
Mono-Rail Type



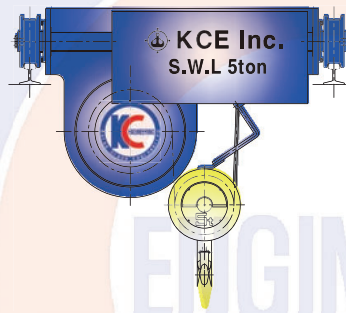
Low Head Type



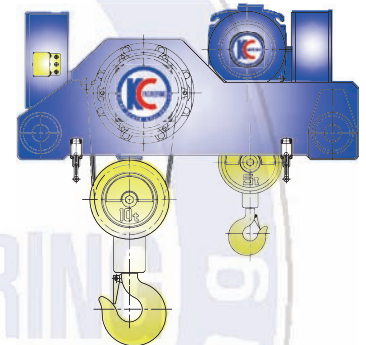
Double Rail Type



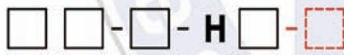
Double Low Head Type



Main & Aux Type



- Explanation of the type designation



Hoist Type ▶

- Foot Mounted Type ----- NF
- Mono-Rail Type ----- N
- Low Head Type ----- NL
- Double Rail Type ----- D
- Double Low Head Type ----- DL
- Main & Aux Type ----- MA

Rated Load(ton) ▶

- Mono-Rail Type ----- 1, 2, 3,5, 7.5, 10, 15, 20
- Low Head Type ----- 1, 2, 3,5, 7.5
- Double Rail Type ----- 2, 3, 5, 7.5, 10, 15, 20, 25, 30, 35, 40, 50, 60, 70
- Double Low Head Type ----- 2, 3,5, 7.5, 10, 15, 20

Hoisting Speed ▶

- Normal Speed(Single Speed) - N
- Creep Speed(Dual Speed) - C

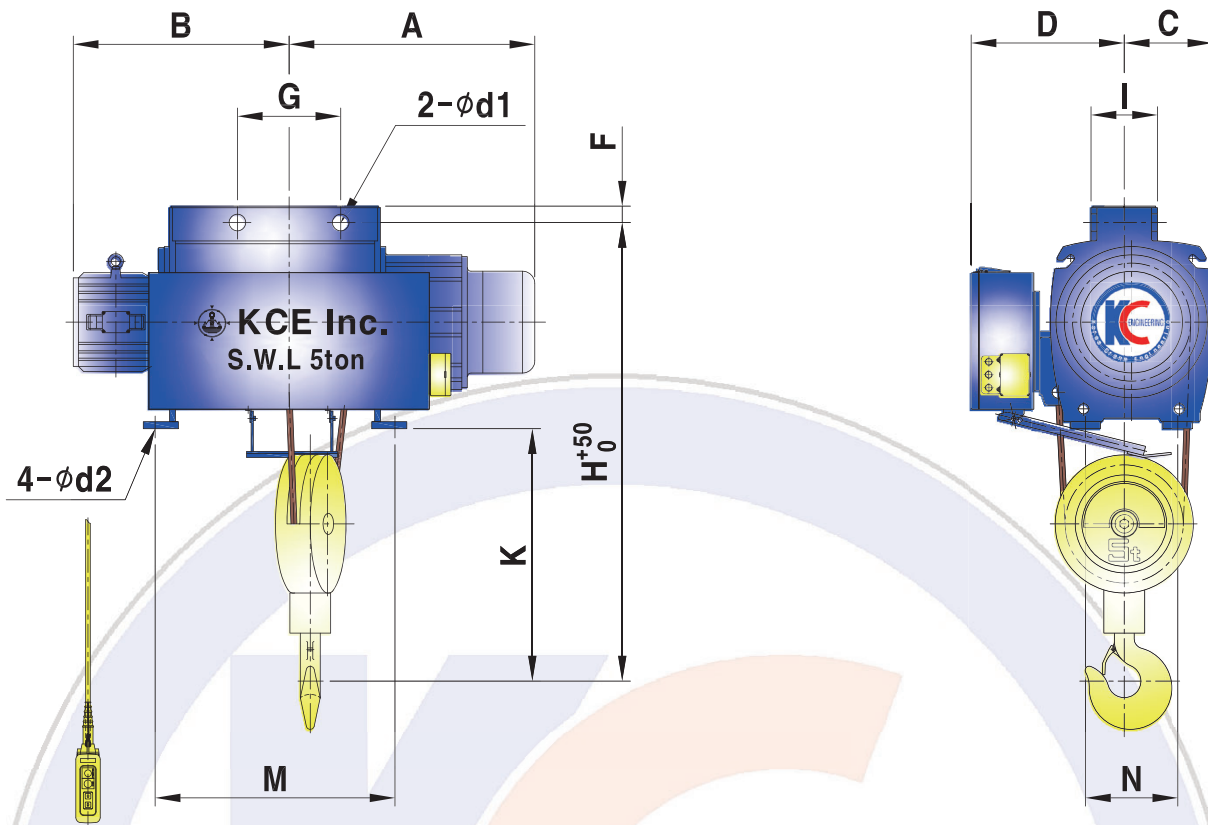
Lift(m) ▶

- Mono-Rail Type ----- 6, 9, 12, 18, 24, 30
- Low Head Type ----- 6, 9, 12
- Double Rail Type ----- 12, 18, 24, 30
- Double Low Head Type ----- 6, 9, 12, 18, 24

Inverter ▶

- Hoisting Inverter ----- IC-H
- Travers Inverter ----- IC-T
- Hoisting/Travers Inverter ----- IC

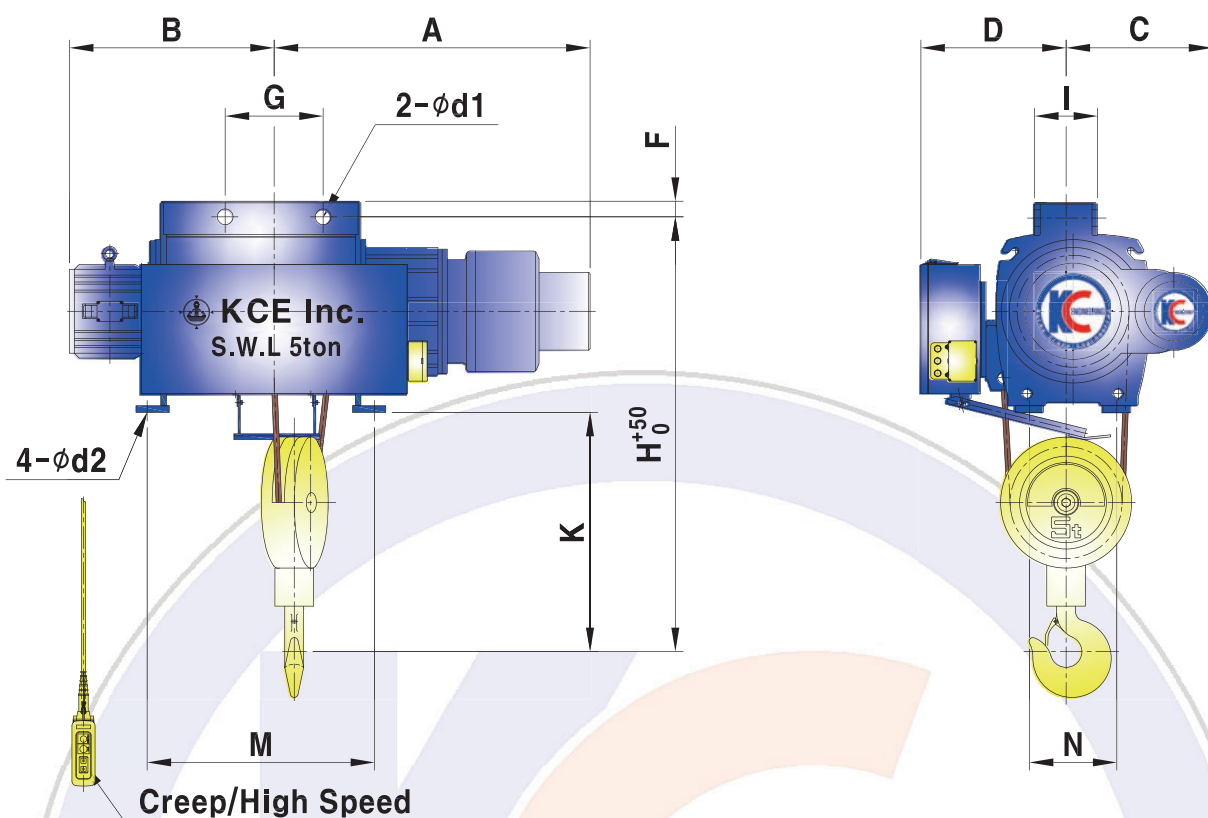
Foot Mounted Type Hoist(Normal)



Capacity (ton)		1	2	3	5	7.5	10	15	20	
Model No.		NF01-N-H06	NF02-N-H06	NF03-N-H06	NF05-N-H06	NF075-N-H12	NF10-N-H12	NF15-N-H12	NF20-N-H12	
Hoisting	Lift Height (m)	6 (12)	6 (12)	6 (12)	6 (12)	12	12	12	12	
	Speed (m/min)	High 50/60 (Hz)	10/12	8.4/10	7.5/9	4.7/5.6	3.1/3.8	3.7/4.5	3.7/4.5	3.5/4.2
		Low 50/60 (Hz)	5/6	4.2/5	3.7/4.5	3.5/4.2	2.3/2.8	2.5/3	2.5/3	2.3/2.8
	Motor (kWxP)	High	2.4x4	3.7x4	5.5x4	5.5x6	5.5x6	9x8	13x8	17x8
		Low	1.2x8	1.8x8	2.8x8	4.2x8	4.2x8	6x12	8.5x12	11.5x12
Wire Rope [ΦxFalls]	Construction	6x37	6x37	6x37	6x37	6x37	6x37	6x37	6x37	
	Dia.(mm) x No. of ropes	8x2	10x2	12.5x2	16x2	14x4	16x4	20x4	22.4x4	
Brake		DC Magnet Disc Brake								
Dimension (approx.) (mm)	H	750	920	1060	1245	1270	1330	1660	1900	
	A	405 (505)	465 (565)	520 (620)	605 (705)	925	975	1075	1165	
	B	380 (480)	410 (510)	440 (540)	500 (585)	835	955	1005	1220	
	C	170	205	210	250	300	330	370	400	
	D	275	310	365	415	480	510	620	640	
	F	28	34	30	45	50	50	65	65	
	G	160	200	200	280	800	800	800	850	
	I	112	150	150	180	232	232	272	272	
	K	360	470	560	690	720	740	965	1150	
	M	350 (550)	350 (550)	364 (564)	450 (650)	1100	1100	1150	1250	
	N	150	200	200	250	400	400	500	500	
	d1	26	33	33	47	47	47	63	63	
d2	17	17	17	17	25	25	25	25		
Weight (approx.) (kg)		160 (170)	204 (240)	300 (350)	460 (525)	700	1000	1500	1900	

- All materials applied are suitable in specified ambient temperature.
- KCE Inc reserves the right to alter or amend the above information without notice.
- The size can be changed according to detailed design.

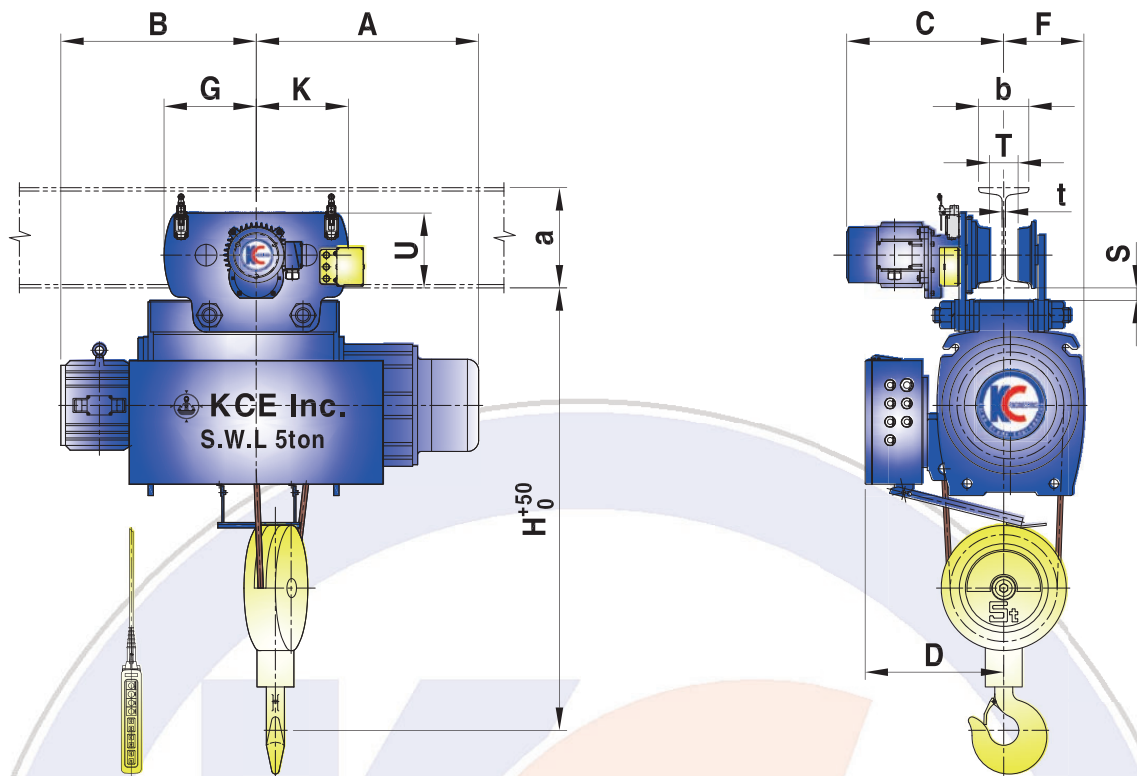
Foot Mounted Type Hoist(Creep)



Capacity (ton)		1	2	3	5	7.5	10	15	20	
Model No.		NF01-C-H06	NF02-C-H06	NF03-C-H06	NF05-C-H06	NF075-C-H12	NF10-C-H12	NF15-C-H12	NF20-C-H12	
Hoisting	Lift Height (m)	6 (12)	6 (12)	6 (12)	6 (12)	12	12	12	12	
	Speed (m/min)	50 (Hz)	10/1	8.4/0.84	7.5/0.75	4.7/0.47	3.1/0.31	3.7/0.37	3.7/0.37	3.5/0.35
		60 (Hz)	12/1.2	10/1	9/0.9	5.6/0.56	3.8/0.38	4.5/0.45	4.5/0.45	4.2/0.42
	Motor (kWxP)	2.4/0.4x4	3.7/0.4x4	5.5/1.1x4	5.5/1x6	5.5/1x6	9/1.1x8	13/1.8x8	17/1.8x8	
	Wire Rope [Φ x Falls]	Construction	6x37	6x37	6x37	6x37	6x37	6x37	6x37	6x37
Dia.(mm) x No. of ropes		8x2	10x2	12.5x2	16x2	14x4	16x4	20x4	22.4x4	
Brake		DC Magnet Disc Brake								
Dimension (approx.) (mm)	H	750	920	1060	1245	1270	1330	1660	1900	
	A	580 (680)	620 (720)	740 (840)	840 (940)	1170	1230	1365	1460	
	B	380 (480)	410 (510)	440 (540)	500 (585)	835	955	1005	1220	
	C	330	370	375	430	465	525	575	621	
	D	275	310	365	415	480	510	620	640	
	F	28	34	30	45	50	50	65	65	
	G	160	200	200	280	800	800	800	850	
	I	112	150	150	180	232	232	272	272	
	K	360	470	560	690	720	740	965	1150	
	M	350 (550)	350 (550)	364 (564)	450 (650)	1100	1100	1150	1250	
	N	150	200	200	250	400	400	500	500	
	d1	26	33	33	47	47	47	63	63	
d2	17	17	17	17	25	25	25	25		
Weight (approx.) (kg)		195 (225)	246 (282)	330 (370)	518 (585)	760	1080	1680	1950	

- All materials applied are suitable in specified ambient temperature.
- KCE Inc reserves the right to alter or amend the above information without notice.
- The size can be changed according to detailed design.

Mono-Rail Type Hoist(Normal)

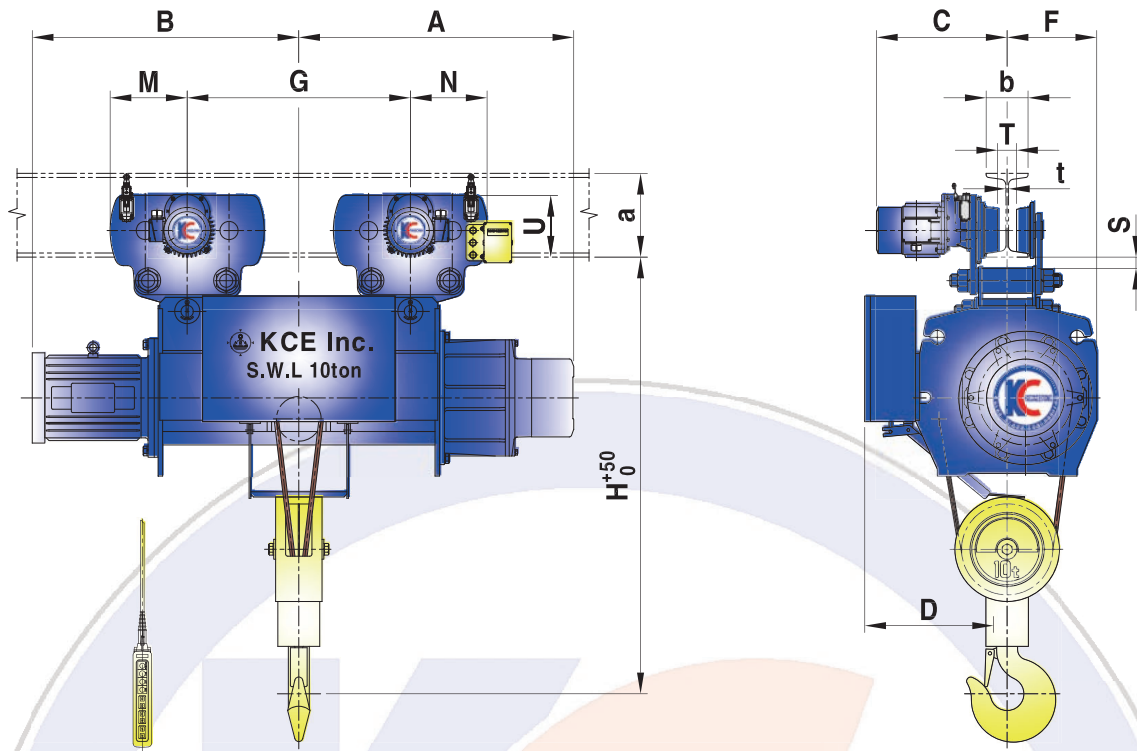


Capacity (ton)		1					2					3					5					
Model No.		N01-N-H06(12)					N02-N-H06(12)					N03-N-H06(12)					N05-N-H06(12)					
Hoisting	Lift Height (m)	6 (12)					6 (12)					6 (12)					6 (12)					
	Speed (m/min)	High 50/60 (Hz)	10/12					8.4/10					7.5/9					4.7/5.6				
		Low 50/60 (Hz)	5/6					4.2/5					3.7/4.5					3.5/4.2				
	Motor (kWxP)	High	2.4x4					3.7x4					5.5x4					5.5x6				
		Low	1.2x8					1.8x8					2.8x8					4.2x8				
Wire Rope [ϕ x Falls]	Construction	6x37					6x37					6x37					6x37					
	Dia.(mm) x No. of ropes	8x2					10x2					12.5x2					16x2					
Brake		DC Magnet Disc Brake																				
Traversing	Speed (m/min)	High 50/60 (Hz)	20/24					20/24					20/24					20/24				
		Low 50/60 (Hz)	13/16					13/16					13/16					13/16				
	Motor (kWxP)	High	0.4x4					0.75x4					0.75x4					0.75x4				
		Low	0.2x6					0.5x6					0.5x6					0.5x6				
Dimension (approx.) (mm)	H	815					980					1115					1325					
	A	405 (505)					465 (565)					520 (620)					605 (705)					
	B	380 (480)					410 (510)					440 (540)					500 (585)					
	D	275					310					365					415					
	G	255					260					260					275					
	K	200					225					225					275					
I-beam and spacing (mm)	a x b x t	C	F	S	T	U	C	F	S	T	U	C	F	S	T	U	C	F	S	T	U	
	200x100x7	385	170	38	46	144	-	-	-	-	-	-	-	-	-	-	-	-	-	-	-	
	250x125x7.5	395	170	30	71	153	445	205	24	71	182	445	210	23	71	182	455	250	39	61	222	
	300x150x10	410	170	28	96	155	460	205	24	96	182	460	210	23	96	182	465	250	37	86	224	
	450x175x13	-	-	-	-	-	-	-	-	-	-	-	-	-	-	-	480	250	34	111	228	
Min. Radius of Curvature (m)		1.5					1.8					1.8					2.3					
Weight (approx.) (kg)		190 (218)					278 (314)					374 (418)					577 (642)					

Note : Dimensions of i-beam in sections are standard ones. Other I-beam size also can be used by changing spacers.

- All materials applied are suitable in specified ambient temperature.
- KCE Inc reserves the right to alter or amend the above information without notice.
- The size can be changed according to detailed design.

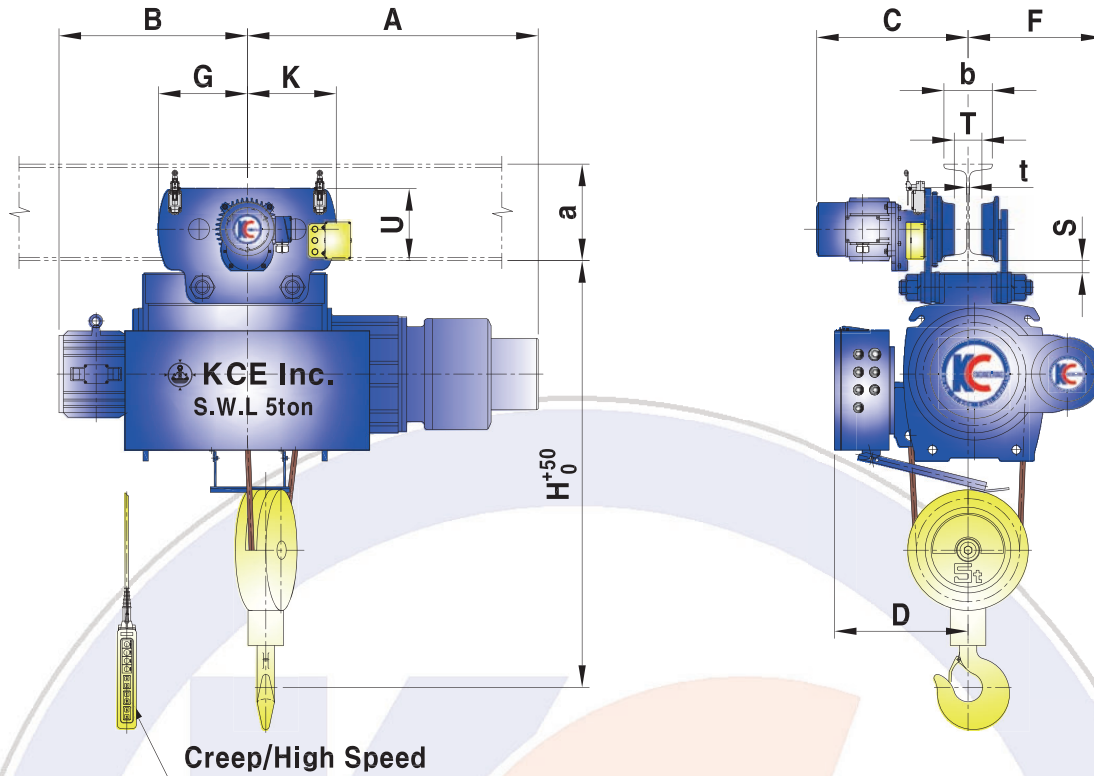
Mono-Rail Type Hoist(Normal)



Capacity (ton)		7.5					10					15					20					
Model No.		N075-N-H12					N10-N-H12					N15-N-H12					N20-N-H12					
Hoisting	Lift Height (m)	12					12					12					12					
	Speed (m/min)	High 50/60 (Hz)	3.1/3.8					3.7/4.5					3.7/4.5					3.5/4.2				
		Low 50/60 (Hz)	2.3/2.8					2.5/3					2.5/3					2.3/2.8				
	Motor (kWxP)	High	5.5x6					9x8					13x8					17x8				
		Low	4.2x8					6x12					8.5x12					11.5x12				
Wire Rope [ϕ x Falls]	Construction	6x37					6x37					6x37					6x37					
	Dia.(mm) x No. of ropes	14x4					16x4					20x4					22.4x4					
		Brake	DC Magnet Disc Brake																			
Traversing	Speed (m/min)	High 50/60 (Hz)	12.5/15					12.5/15					12.5/15					12.5/15				
		Low 50/60 (Hz)	8.3/10					8.3/10					8.3/10					8.3/10				
	Motor (kWxP)	High	0.75x4 (2unit)					0.75x4 (2unit)					1.5x4 (2unit)					1.5x4 (2unit)				
Low		0.5x6 (2unit)					0.5x6 (2unit)					1x6 (2unit)					1x6 (2unit)					
Dimension (approx.) (mm)	H	1460					1520					1875					2115					
	A	925					975					1075					1165					
	B	835					955					1005					1220					
	D	480					510					620					640					
	G	800					800					800					850					
	M	276					276					300					300					
	N	276					276					300					300					
I-beam and spacing (mm)	a x b x t	C	F	S	T	U	C	F	S	T	U	C	F	S	T	U	C	F	S	T	U	
	300x150x10	500	300	35	68	224	485	330	35	68	224	-	-	-	-	-	-	-	-	-	-	
	450x175x13	510	300	30	93	228	490	330	30	93	228	580	370	32	77	248	580	400	32	77	248	
600x190x13	520	300	25	118	232	495	330	25	118	232	590	370	32	92	248	590	400	32	92	248		
Min. Radius of Curvature (m)	For straight rail only																					
Weight (approx.) (kg)	910					1210					2030					2430						
Note : Dimensions of i-beam in yellow sections are standard ones. Other I-beam size also can be used by changing spacers.																						

- All materials applied are suitable in specified ambient temperature.
- KCE Inc reserves the right to alter or amend the above information without notice.
- The size can be changed according to detailed design.

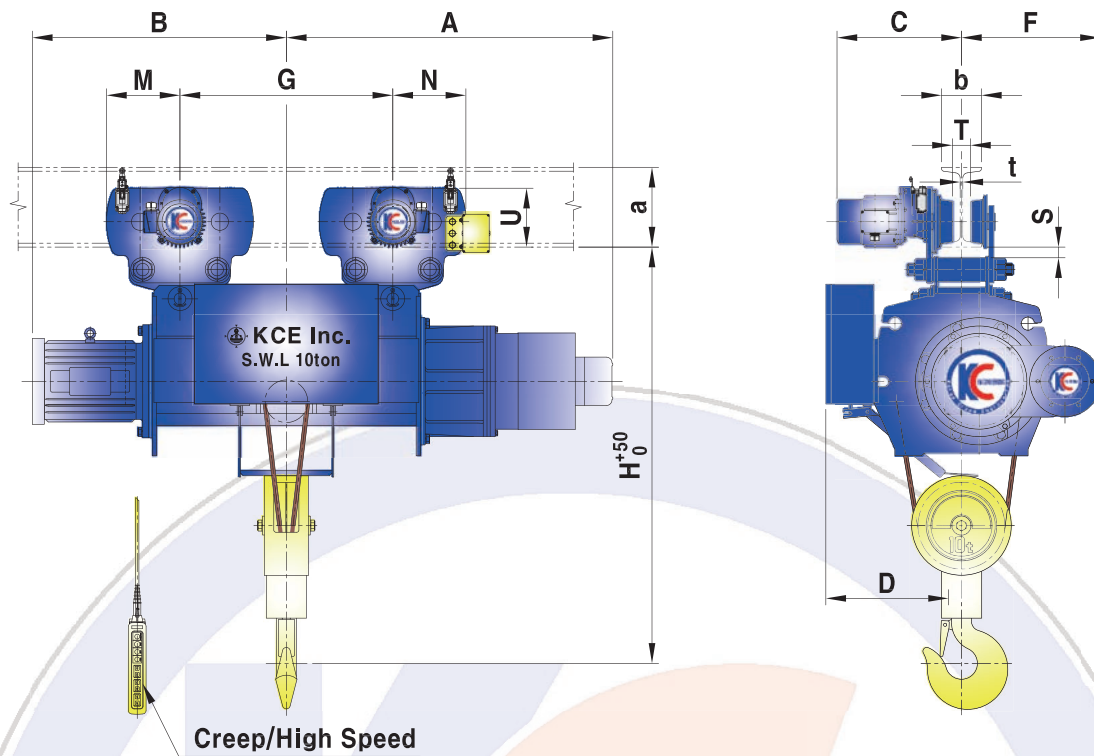
Mono-Rail Type Hoist(Creep)



Capacity (ton)		1				2				3				5				
Model No.		N01-C-H06(12)				N02-C-H06(12)				N03-C-H06(12)				N05-C-H06(12)				
Hoisting	Lift Height (m)	6 (12)				6 (12)				6 (12)				6 (12)				
	Speed (m/min)	50 (Hz)	10/1				8.4/0.84				7.5/0.75				4.7/0.47			
		60 (Hz)	12/1.2				10/1				9/0.9				5.6/0.56			
	Motor (kWxP)	2.4/0.4x4				3.7/0.4x4				5.5/1.1x4				5.5/1x6				
	Wire Rope [Φ x Falls]	Construction	6x37				6x37				6x37				6x37			
Dia.(mm) x No. of ropes		8x2				10x2				12.5x2				16x2				
Brake		DC Magnet Disc Brake																
Traversing	Speed (m/min)	High 50/60 (Hz)	20/24				20/24				20/24				20/24			
		Low 50/60 (Hz)	13/16				13/16				13/16				13/16			
Motor (kWxP)	High	0.4x4				0.75x4				0.75x4				0.75x4				
	Low	0.2x6				0.5x6				0.5x6				0.5x6				
Dimension (approx.) (mm)	H	815				980				1115				1325				
	A	580 (680)				620 (720)				740 (840)				840 (940)				
	B	380 (580)				410 (510)				440 (540)				500 (585)				
	D	275				310				365				415				
	F	330				370				375				430				
	G	255				260				260				275				
	K	200				225				225				275				
I-beam and spacing (mm)	a x b x t	C	S	T	U	C	S	T	U	C	S	T	U	C	S	T	U	
	200x100x7	395	38	46	144	-	-	-	-	-	-	-	-	-	-	-	-	
	250x125x7.5	395	30	71	153	445	26	71	182	445	25	71	182	455	37	61	222	
	300x150x10	410	28	96	156	460	24	96	182	460	23	96	182	465	32	86	224	
450x175x13	-	-	-	-	-	-	-	-	-	-	-	-	480	32	111	228		
Min. Radius of Curvature (m)		1.5				1.8				1.8				2.3				
Weight (approx.) (kg)		225 (245)				320 (355)				415 (460)				635 (700)				
Note : Dimensions of i-beam in sections are standard ones. Other I-beam size also can be used by changing spacers.																		

- All materials applied are suitable in specified ambient temperature.
- KCE Inc reserves the right to alter or amend the above information without notice.
- The size can be changed according to detailed design.

Mono-Rail Type Hoist(Creep)

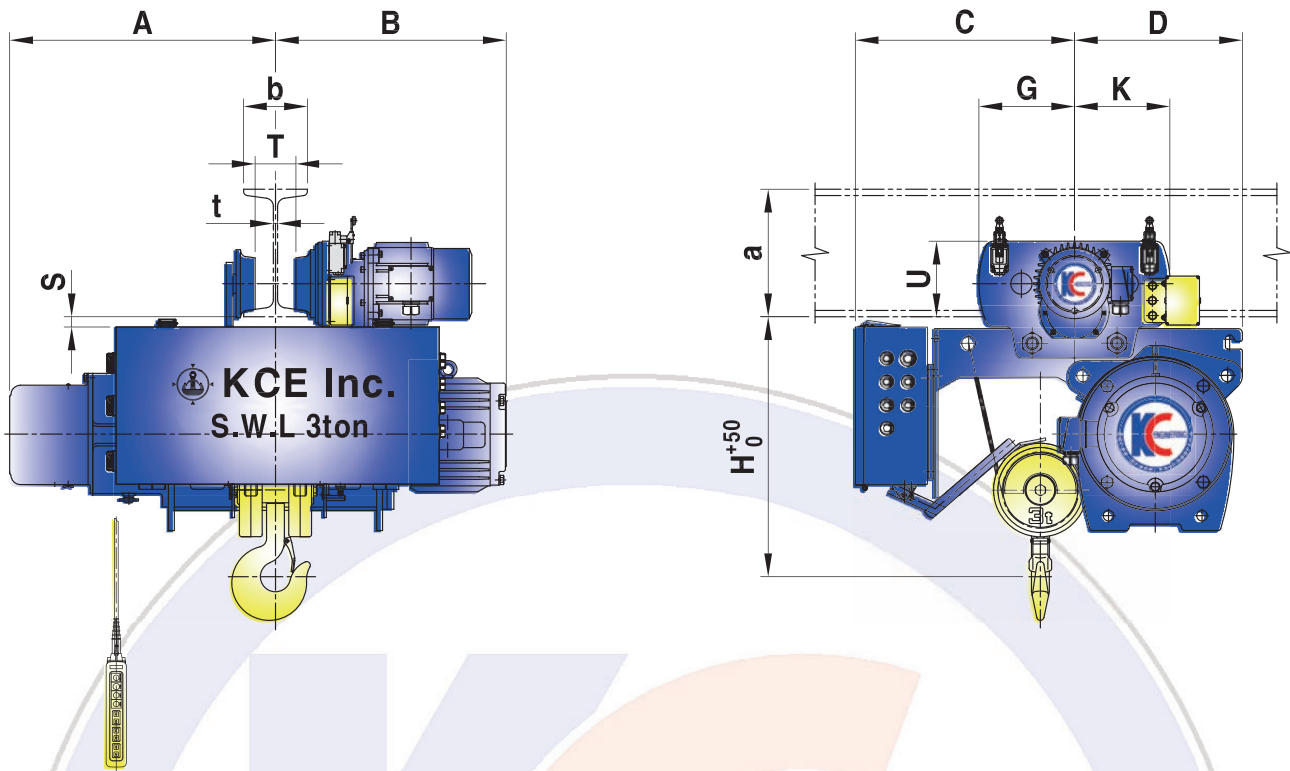


Capacity (ton)		7.5				10				15				20			
Model No.		N075-C-H12				N10-C-H12				N15-C-H12				N20-C-H12			
Hoisting	Lift Height (m)	12				12				12				12			
	Speed (m/min)	50 (Hz)		3.1/0.31		3.7/0.37		3.7/0.37		3.7/0.37		3.7/0.37		3.5/0.35			
		60 (Hz)		3.8/0.38		4.5/0.45		4.5/0.45		4.5/0.45		4.5/0.45		4.2/0.42			
	Motor (kWxP)	5.5/1x6		9/1.1x8		13/1.8x8		17/1.8x8									
	Wire Rope [ϕ x Falls]	Construction		6x37		6x37		6x37		6x37							
Dia.(mm) x No. of ropes		14x4		16x4		20x4		22.4x4									
Brake		DC Magnet Disc Brake															
Traversing	Speed (m/min)	High 50/60 (Hz)		12.5/15		12.5/15		12.5/15		12.5/15		12.5/15					
		Low 50/60 (Hz)		8.3/10		8.3/10		8.3/10		8.3/10		8.3/10					
	Motor (kWxP)	High		0.75x4 (2unit)		0.75x4 (2unit)		1.5x4 (2unit)		1.5x4 (2unit)							
		Low		0.5x6 (2unit)		0.5x6 (2unit)		1x6 (2unit)		1x6 (2unit)							
Dimension (approx.) (mm)	H	1460				1565				1875				2115			
	A	1170				1230				1365				1460			
	B	835				955				1005				1220			
	D	480				510				620				640			
	F	465				525				575				621			
	G	800				800				800				850			
	M	276				276				300				300			
	N	276				276				300				300			
I-beam and spacing (mm)	a x b x t	C	S	T	U	C	S	T	U	C	S	T	U	C	S	T	U
	300x150x10	500	35	68	224	475	35	68	224	-	-	-	-	-	-	-	-
	450x175x13	510	30	93	228	490	30	93	228	580	32	77	248	580	32	77	248
	600x190x13	520	32	118	227	495	32	118	227	587	37	92	243	587	37	92	243
Min. Radius of Curvature (m)		For straight rail only															
Weight (approx.) (kg)		970				1280				2180				2520			

Note : Dimensions of i-beam in sections are standard ones. Other I-beam size also can be used by changing spacers.

- All materials applied are suitable in specified ambient temperature.
- KCE Inc reserves the right to alter or amend the above information without notice.
- The size can be changed according to detailed design.

Low Head Type Hoist(Normal)

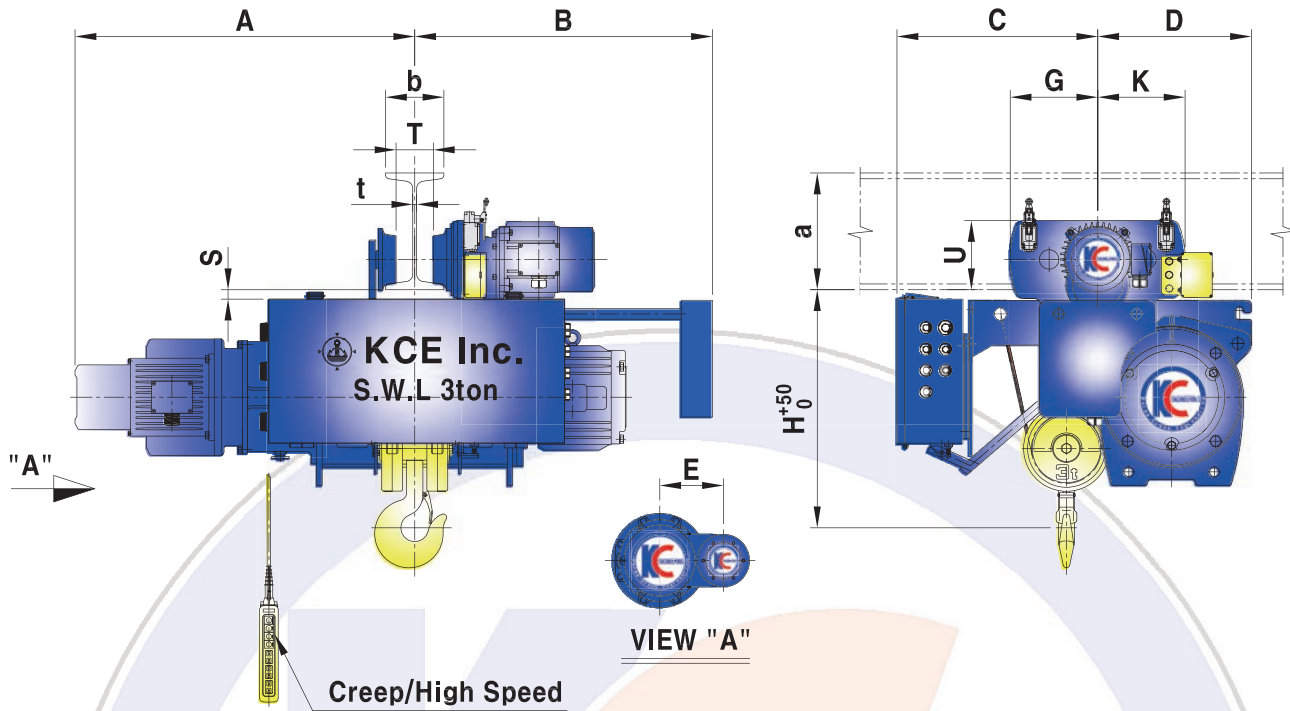


Capacity (ton)		1			2			3			5			7.5			
Model No.		NL01-N-H06			NL02-N-H06			NL03-N-H06			NL05-N-H06			NL075-N-H12			
Hoisting	Lift Height (m)	6			6			6			6			12			
	Speed (m/min)	High 50/60 (Hz)	10/12			8.4/10			7.5/9			4.7/5.6			3.1/3.8		
		Low 50/60 (Hz)	5/6			4.2/5			3.7/4.5			3.5/4.2			2.3/2.8		
	Motor (kWxP)	High	2.4x4			3.7x4			5.5x4			5.5x6			5.5x6		
		Low	1.2x8			1.8x8			2.8x8			4.2x8			4.2x8		
Wire Rope [ϕ xFalls]	Construction	6x19			6x37			6x37			6x37			6x37			
	Dia.(mm) x No. of ropes	6x4			8x4			9x4			11.2x4			14x4			
Brake		DC Magnet Disc Brake															
Traversing	Speed (m/min)	High 50/60 (Hz)	20/24			20/24			20/24			20/24			12.5/15		
		Low 50/60 (Hz)	13/16			13/16			13/16			13/16			8.3/10		
	Motor (kWxP)	High	0.4x4			0.75x4			0.75x4			0.75x4			0.75x4		
	Low	0.2x6			0.5x6			0.5x6			0.5x6			0.5x6			
Dimension (approx.) (mm)	H	550			620			620			800			1000			
	A	505			590			620			705			790			
	B	480			510			540			585			705			
	C	405			435			510			585			730			
	D	290			385			395			465			560			
	G	255			260			260			275			300			
	K	200			225			225			275			300			
I-beam and spacing (mm)	a x b x t	S	T	U	S	T	U	S	T	U	S	T	U	S	T	U	
	200x100x7	38	46	144	-	-	-	-	-	-	-	-	-	-	-	-	
	250x125x7.5	30	71	153	22	71	182	23	71	182	-	-	-	-	-	-	
	300x150x10	30	71	155	22	96	182	23	96	182	26	86	224	30	52	246	
	450x175x13	-	-	-	-	-	-	-	-	-	23	111	228	32	77	248	
Min. Radius of Curvature (m)		1.5			1.8			1.8			2.3			-			
Weight (approx.) (kg)		200			350			440			730			1300			

Note : Dimensions of i-beam in yellow sections are standard ones. Other I-beam size also can be used by changing spacers.

- All materials applied are suitable in specified ambient temperature.
- KCE Inc reserves the right to alter or amend the above information without notice.
- The size can be changed according to detailed design.

Low Head Type Hoist(Creep)

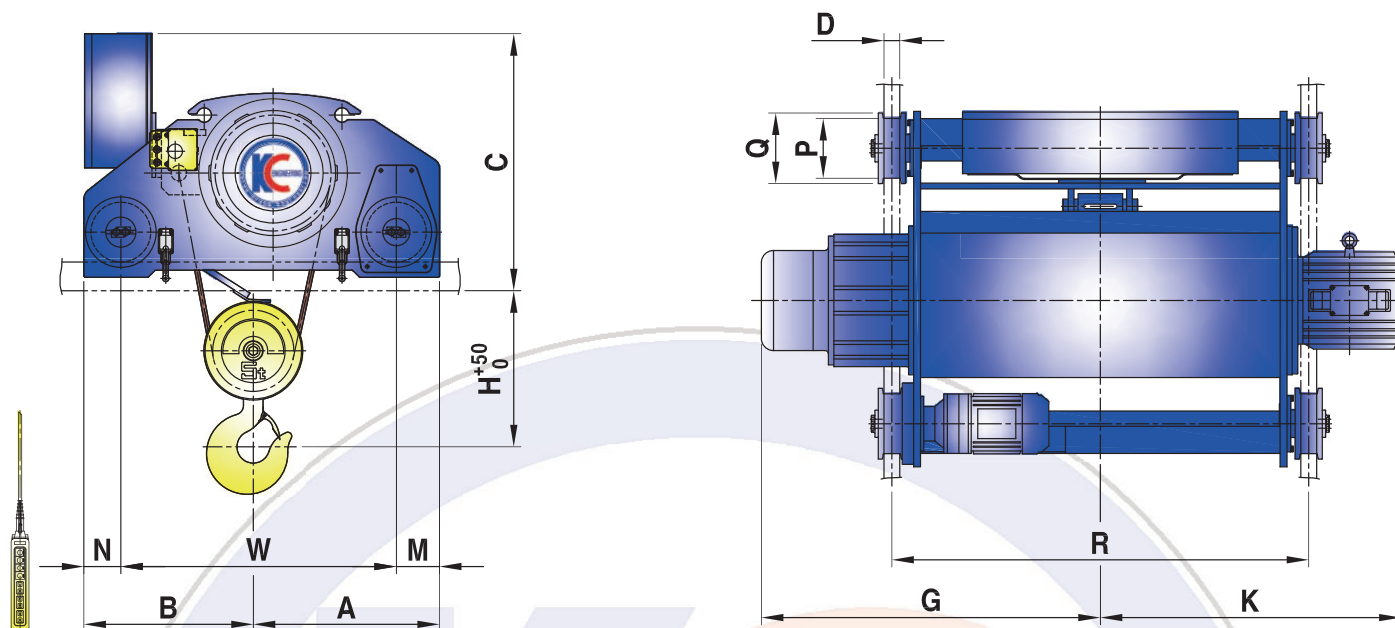


Capacity (ton)		1			2			3			5			7.5			
Model No.		NL01-C-H06			NL02-C-H06			NL03-C-H06			NL05-C-H06			NL075-C-H12			
Hoisting	Lift Height (m)	6			6			6			6			12			
	Speed (m/min)	50 (Hz)	10/1			8.4/0.84			7.5/0.75			4.7/0.47			3.1/0.31		
		60 (Hz)	12/1.2			10/1			9/0.9			5.6/0.56			3.8/0.38		
	Motor (kWxP)	2.4/0.4x4			3.7/0.4x4			5.5/1.1x4			5.5/1x6			5.5/1x6			
	Wire Rope [Φx Falls]	Construction	6x19			6x37			6x37			6x37			6x37		
Dia.(mm) x No. of ropes		6x4			8x4			9x4			11.2x4			14x4			
Brake		DC Magnet Disc Brake															
Traversing	Speed (m/min)	High 50/60 (Hz)	20/24			20/24			20/24			20/24			12.5/15		
		Low 50/60 (Hz)	13/16			13/16			13/16			13/16			8.3/10		
	Motor (kWxP)	High	0.4x4			0.75x4			0.75x4			0.75x4			0.75x4		
	Low	0.2x6			0.5x6			0.5x6			0.5x6			0.5x6			
Dimension (approx.) (mm)	H	550			620			620			800			1100			
	A	680			740			840			940			1080			
	B	510			765			765			820			820			
	C	450			450			510			585			715			
	D	290			385			565			635			620			
	G	225			260			260			275			350			
	K	200			225			225			275			350			
	E	330			375			375			425			425			
I-beam and spacing (mm)	a x b x t	S	T	U	S	T	U	S	T	U	S	T	U	S	T	U	
	200x100x7	38	46	144	-	-	-	-	-	-	-	-	-	-	-	-	
	250x125x7.5	30	71	153	22	71	182	23	71	182	-	-	-	-	-	-	
	300x150x10	30	96	155	22	96	182	23	96	182	26	86	224	30	52	246	
	450x175x13	-	-	-	-	-	-	-	-	-	23	111	228	32	77	248	
Min. Radius of Curvature (m)		1.5			1.8			1.8			2.3			-			
Weight (approx.) (kg)		275			440			530			760			1360			

Note : Dimensions of i-beam in yellow sections are standard ones. Other I-beam size also can be used by changing spacers.

- All materials applied are suitable in specified ambient temperature.
- KCE Inc reserves the right to alter or amend the above information without notice.
- The size can be changed according to detailed design.

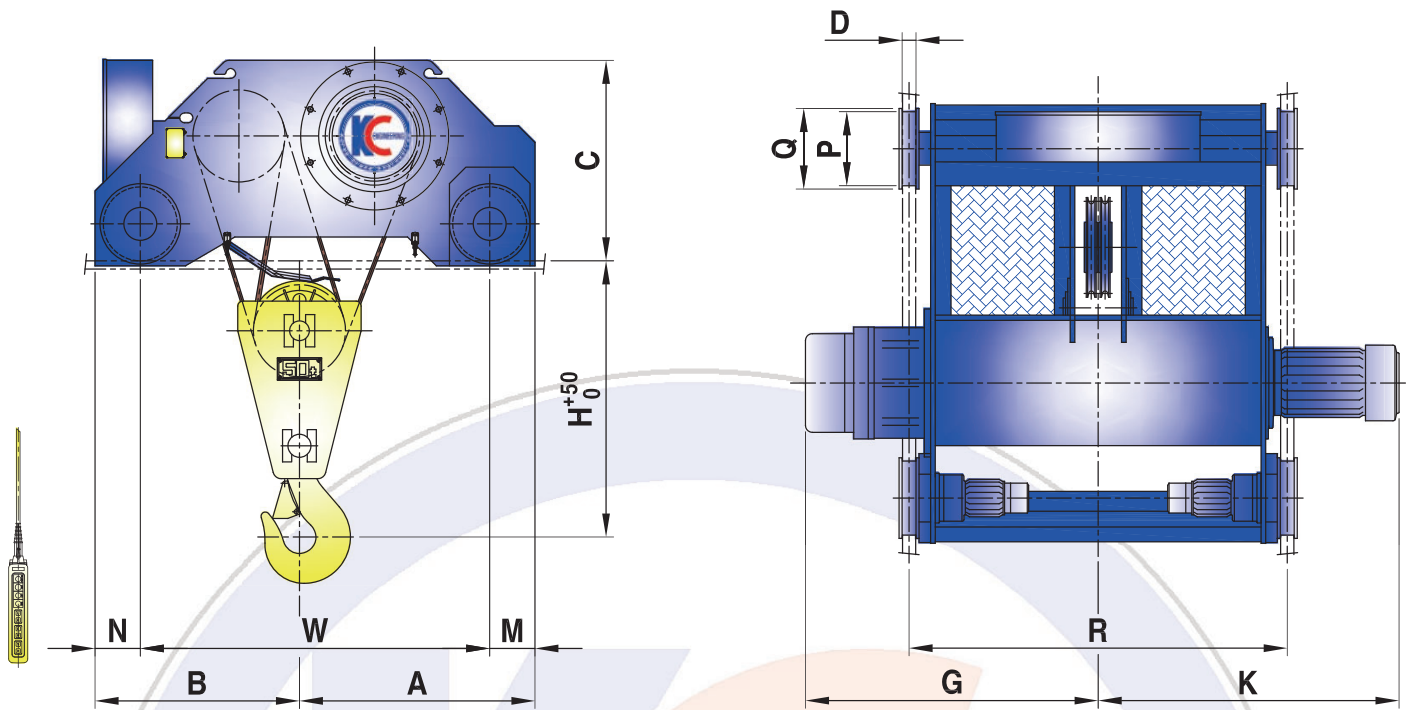
Double Rail Type Hoist(Normal)



Capacity (ton)		2	3	5	7.5	10	15	20	
Model No.		D02-N-H12	D03-N-H12	D05-N-H12	D075-N-H12	D10-N-H12	D15-N-H12	D20-N-H12	
Hoisting	Lift Height (m)	12	12	12	12	12	12	12	
	Speed (m/min)	High 50/60 (Hz)	8.4/10	7.5/9	4.7/5.6	3.1/3.8	3.7/4.5	3.7/4.5	3.5/4.2
		Low 50/60 (Hz)	4.2/5	3.7/4.5	3.5/4.2	2.3/2.8	2.5/3	2.5/3	2.3/2.8
	Motor (kWxP)	High	3.7x4	5.5x4	5.5x6	5.5x6	9x8	13x8	17x8
		Low	1.8x8	2.8x8	4.2x8	4.2x8	6x12	8.5x12	11.5x12
	Wire Rope [φ x Falls]	Construction	6x37	6x37	6x37	6x37	6x37	6x37	6x37
Dia.(mm) x No. of ropes		8x4	9x4	12.5x4	14x4	16x4	20x4	22.4x4	
Brake		DC Magnet Disc Brake							
Traversing	Speed (m/min)	High 50/60 (Hz)	20/24	20/24	20/24	12.5/15	12.5/15	12.5/15	12.5/15
		Low 50/60 (Hz)	13/16	13/16	13/16	8.3/10	8.3/10	8.3/10	8.3/10
	Motor (kWxP)	High	0.75x4	0.75x4	0.75x4	0.75x4	0.75x4	1.5x4	1.5x4
Low		0.5x6	0.5x6	0.5x6	0.5x6	0.5x6	1x6	1x6	
Dimension (approx.) (mm)	H	415	420	510	730	775	995	1175	
	R	950	950	1150	1150	1150	1200	1300	
	A	465	465	510	535	565	625	670	
	B	390	390	470	480	510	555	610	
	C	500	600	550	645	695	860	900	
	G	740	785	935	925	975	1075	1165	
	K	690	705	830	835	955	1005	1220	
	W	650	650	760	800	865	920	1000	
	D	47	47	58	58	58	58	58	
	M	115	115	125	120	120	130	140	
	N	90	90	110	95	100	130	140	
	P	140	140	165	165	165	180	220	
	Q	170	170	190	195	195	210	250	
Weight (approx.) (kg)		450	550	850	900	1200	1820	2300	
Rail		15kg/m	15kg/m	15kg/m	15kg/m	15kg/m	22kg/m	22kg/m	

- All materials applied are suitable in specified ambient temperature.
- KCE Inc reserves the right to alter or amend the above information without notice.
- The size can be changed according to detailed design.

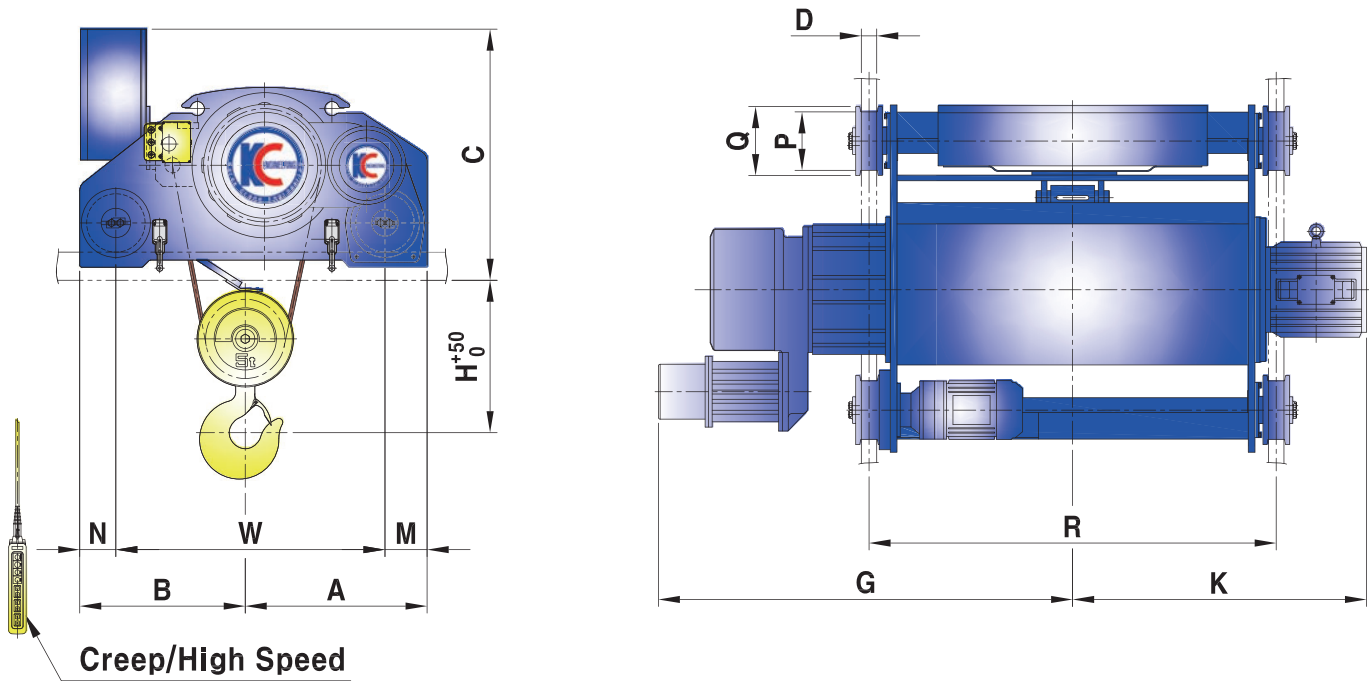
Double Rail Type Hoist(Normal)



Capacity (ton)		30	35	40	50	60	70	
Model No.		D30-N-H12	D35-N-H12	D40-N-H12	D50-N-H12	D60-N-H12	D70-N-H12	
Hoisting	Lift Height (m)	12	12	12	12	12	12	
	Speed (m/min)	50 (Hz)	2.3	4	3.5	2.7	2	2
		60 (Hz)	2.8	4.8	4.2	3.2	2.4	2.4
	Motor (kWxP)	17x8	33x6	33x6	33x6	33x6	33x6	
	Wire Rope [φ x Falls]	Construction	6x37	6xFi(25)	6xFi(25)	6xFi(25)	6xFi(25)	6xFi(25)
Dia.(mm) x No. of ropes		22.4x6	28x4	28x4	28x6	28x8	28x8	
Brake		DC Magnet Disc Brake						
Traversing	Speed (m/min)	High 50/60 (Hz)	12.5/15	12.5/15	12.5/15	12.5/15	12.5/15	
		Low 50/60 (Hz)	8.3/10	8.3/10	8.3/10	8.3/10	8.3/10	
	Motor (kWxP)	High	1.5x4 (2unit)	2.2x4	2.2x4	2.2x4 (2unit)	2.2x4 (2unit)	3.7x4 (2unit)
		Low	1x6 (2unit)	1.5x6	1.5x6	1.5x6 (2unit)	1.5x6 (2unit)	2.2x6 (2unit)
Dimension (approx.) (mm)	H	1480	1490	1490	1680	1780	1780	
	R	1800	1600	1600	2300	2800	2800	
	A	940	1025	1025	1432	1525	1525	
	B	940	955	955	1243	1150	1150	
	C	980	1013	1013	1220	1220	1220	
	G	1425	1455	1455	1780	2030	2030	
	K	1480	1360	1360	1715	1965	1965	
	W	1540	1550	1550	2125	2125	2125	
	D	70	70	70	80	80	80	
	M	180	215	215	275	275	300	
	N	160	215	215	275	275	300	
P	250	355	355	450	450	500		
Q	280	395	395	490	490	540		
Weight (approx.) (kg)		3450	5200	5200	7000	8500	9000	
Rail		30kg/m	37kg/m	37kg/m	73kg/m	73kg/m	73kg/m	

- All materials applied are suitable in specified ambient temperature.
- KCE Inc reserves the right to alter or amend the above information without notice.
- The size can be changed according to detailed design.

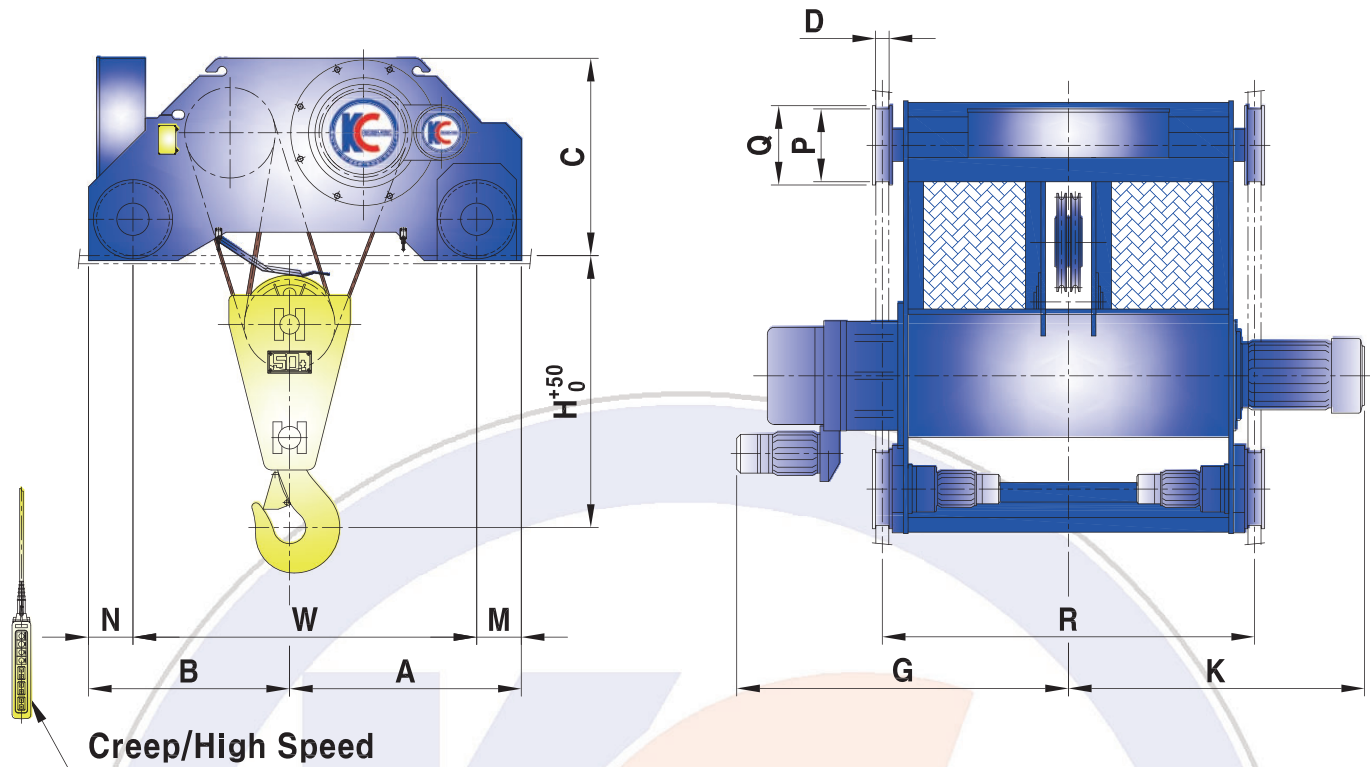
Double Rail Type Hoist(Creep)



Capacity (ton)		2	3	5	7.5	10	15	20	
Model No.		D02-C-H12	D03-C-H12	D05-C-H12	D075-C-H12	D10-C-H12	D15-C-H12	D20-C-H12	
Hoisting	Lift Height (m)	12	12	12	12	12	12	12	
	Speed (m/min)	50 (Hz)	8.4/0.84	7.5/0.75	4.7/0.47	3.1/0.31	3.7/0.37	3.7/0.37	3.5/0.35
		60 (Hz)	10/1	9/0.9	5.6/0.56	3.8/0.38	4.5/0.45	4.5/0.45	4.2/0.42
	Motor (kWxP)	3.7/0.4x4	5.5/1.1x4	5.5/1.1x6	5.5/1.1x6	9/1.1x8	13/1.8x8	17/1.8x8	
	Wire Rope [Φ x Falls]	Construction	6x37	6x37	6x37	6x37	6x37	6x37	6x37
Dia.(mm) x No. of ropes		8x4	9x4	12.5x4	14x4	16x4	20x4	22.4x4	
Brake		DC Magnet Disc Brake							
Traversing	Speed (m/min)	High 50/60 (Hz)	20/24	20/24	20/24	12.5/15	12.5/15	12.5/15	12.5/15
		Low 50/60 (Hz)	13/16	13/16	13/16	8.3/10	8.3/10	8.3/10	8.3/10
	Motor (kWxP)	High	0.75x4	0.75x4	0.75x4	0.75x4	0.75x4	1.5x4	1.5x4
		Low	0.5x6	0.5x6	0.5x6	0.5x6	0.5x6	1.0x6	1.0x6
Dimension (approx.) (mm)	H	415	420	510	730	775	995	1175	
	R	950	950	1150	1150	1150	1200	1300	
	A	465	465	510	525	565	625	670	
	B	390	390	470	480	510	555	610	
	C	500	600	550	550	695	860	900	
	G	905	1020	1170	1170	1230	1365	1460	
	K	609	705	830	835	955	1005	1220	
	W	650	650	760	800	865	920	1000	
	D	47	47	58	58	58	58	58	
	M	115	115	125	120	120	130	140	
	N	90	90	110	95	100	130	140	
	P	140	140	165	165	165	180	220	
Q	170	170	195	195	195	210	250		
Weight (approx.) (kg)		490	590	900	955	1265	1920	2385	
Rail		15kg/m	15kg/m	15kg/m	15kg/m	15kg/m	22kg/m	22kg/m	

- All materials applied are suitable in specified ambient temperature.
- KCE Inc reserves the right to alter or amend the above information without notice.
- The size can be changed according to detailed design.

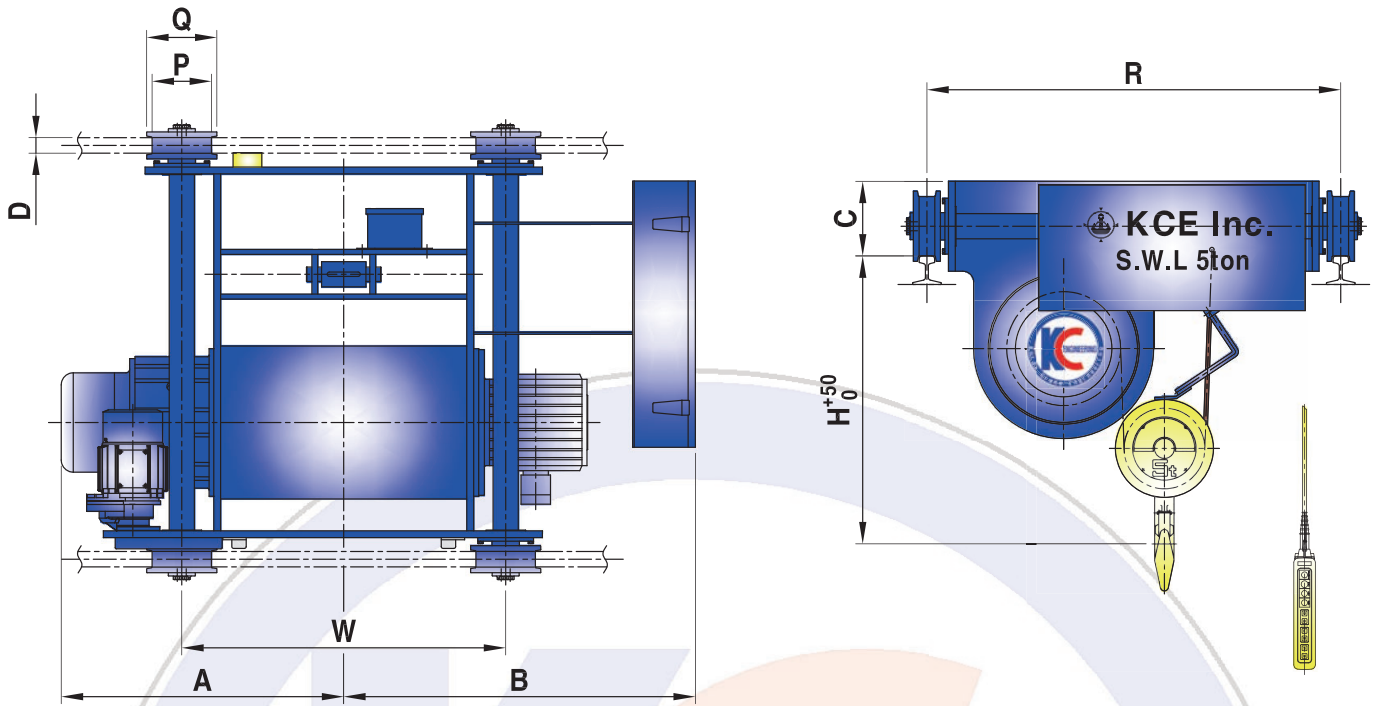
Double Rail Type Hoist(Creep)



Capacity (ton)		30	35	40	50	60	70	
Model No.		D30-C-H12	D35-C-H12	D40-C-H12	D50-C-H12	D60-C-H12	D70-C-H12	
Hoisting	Lift Height (m)	12	12	12	12	12	12	
	Speed (m/min)	50 (Hz)	2.3/0.23	4/0.4	3.5/0.35	2.7/0.27	2/0.2	2/0.2
		60 (Hz)	2.8/0.28	4.8/0.48	4.2/0.42	3.2/0.32	2.4/0.24	2.4/0.24
	Motor (kWxP)	17/1.8x8	33/3.7x6/4	33/3.7x6/4	33/3.7x6/4	33/3.7x6/4	33/3.7x6/4	
	Wire Rope [φ x Falls]	Construction	6x37	6xFi(25)	6xFi(25)	6xFi(25)	6xFi(25)	6xFi(25)
Dia.(mm) x No. of ropes		22.4x6	28x4	28x4	28x6	28x8	28x8	
Brake		DC Magnet Disc Brake						
Traversing	Speed (m/min)	High 50/60 (Hz)	12.5/15	12.5/15	12.5/15	12.5/15	12.5/15	
		Low 50/60 (Hz)	8.3/10	8.3/10	8.3/10	8.3/10	8.3/10	
	Motor (kWxP)	High	1.5x4 (2unit)	2.2x4	2.2x4	2.2x4 (2unit)	2.2x4 (2unit)	3.7x4 (2unit)
Low		1.0x6 (2unit)	1.5x6	1.5x6	1.5x6 (2unit)	1.5x6 (2unit)	2.2x6 (2unit)	
Dimension (approx.) (mm)	H	1480	1490	1490	1680	1780	1780	
	R	1800	1600	1600	2300	2800	2800	
	A	940	1025	1025	1432	1525	1525	
	B	940	955	955	1243	1150	1150	
	C	980	1013	1013	1220	1220	1220	
	G	1720	1735	1735	2060	2310	2310	
	K	1480	1360	1360	1715	1965	1965	
	W	1540	1550	1550	2125	2125	2125	
	D	70	70	70	80	80	80	
	M	180	215	215	275	275	300	
	N	180	215	215	275	275	300	
	Q	280	355	355	490	490	540	
Weight (approx.) (kg)		3536	5400	5400	7200	9050	9200	
Rail		30kg/m	37kg/m	37kg/m	73kg/m	73kg/m	73kg/m	

- All materials applied are suitable in specified ambient temperature.
- KCE Inc reserves the right to alter or amend the above information without notice.
- The size can be changed according to detailed design.

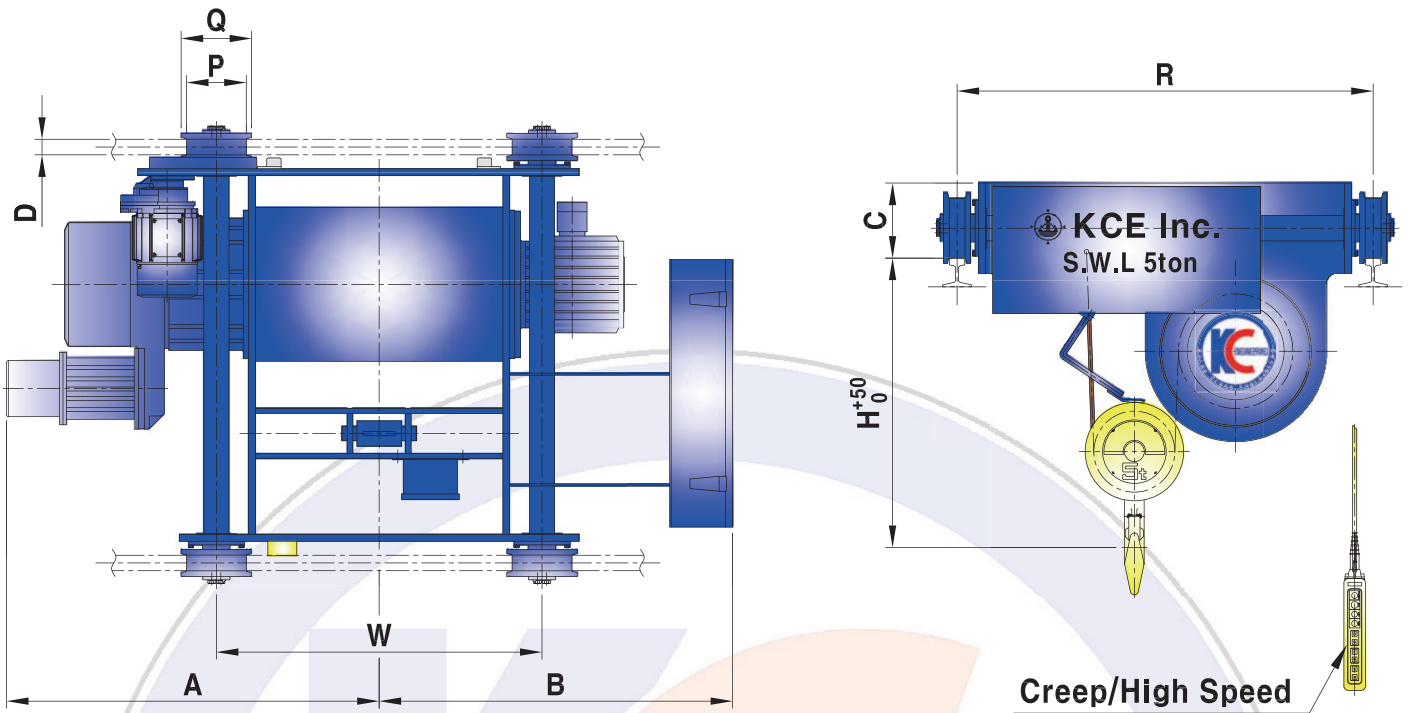
Double Low Head Type Hoist(Normal)



Capacity (ton)		2	3	5	7.5	10	15	
Model No.		DL02-N-H06	DL03-N-H06	DL05-N-H06	DL075-N-H12	DL10-N-H12	DL15-N-H12	
Hoisting	Lift Height (m)	6	6	6	12	12	12	
	Speed (m/min)	High 50/60 (Hz)	8.4/10	7.5/9	4.7/5.6	3.1/3.8	3.7/4.5	3.7/4.5
		Low 50/60 (Hz)	4.2/5	3.7/4.5	3.5/4.2	2.3/2.8	2.5/3	2.5/3
	Motor (kWxP)	High	3.7x4	5.5x4	5.5x6	5.5x6	9x8	13x8
		Low	1.8x8	2.8x8	4.2x8	4.2x8	6x12	8.5x12
	Wire Rope [φxFalls]	Construction	6x37	6x37	6x37	6x37	6x37	6x37
Dia.(mm) x No. of ropes		8x4	9x4	11.2x4	14x4	16x4	20x4	
Brake		DC Magnet Disc Brake						
Traversing	Speed (m/min)	High 50/60 (Hz)	20/24	20/24	20/24	12.5/15	12.5/15	12.5/15
		Low 50/60 (Hz)	13/16	13/16	13/16	8.3/10	8.3/10	8.3/10
	Motor (kWxP)	High	0.75x4	0.75x4	0.75x4	0.75x4	0.75x4	1.5x4
		Low	0.5x6	0.5x6	0.5x6	0.5x6	0.5x6	1x6
Dimension (approx.) (mm)	H	400	495	525	950	920	1250	
	R	950	950	1150	1400	1300	1700	
	A	582	652	730	925	978	965	
	B	532	550	620	870	955	1009	
	C	200	170	200	200	240	260	
	W	750	650	772	1250	1250	1300	
	D	47	47	58	58	58	58	
	P	140	140	165	165	165	180	
Q	170	170	195	195	195	210		
Weight (approx.) (kg)		410	500	800	850	1250	1850	
Rail		15kg/m	15kg/m	15kg/m	15kg/m	15kg/m	22kg/m	

- All materials applied are suitable in specified ambient temperature.
- KCE Inc reserves the right to alter or amend the above information without notice.
- The size can be changed according to detailed design.

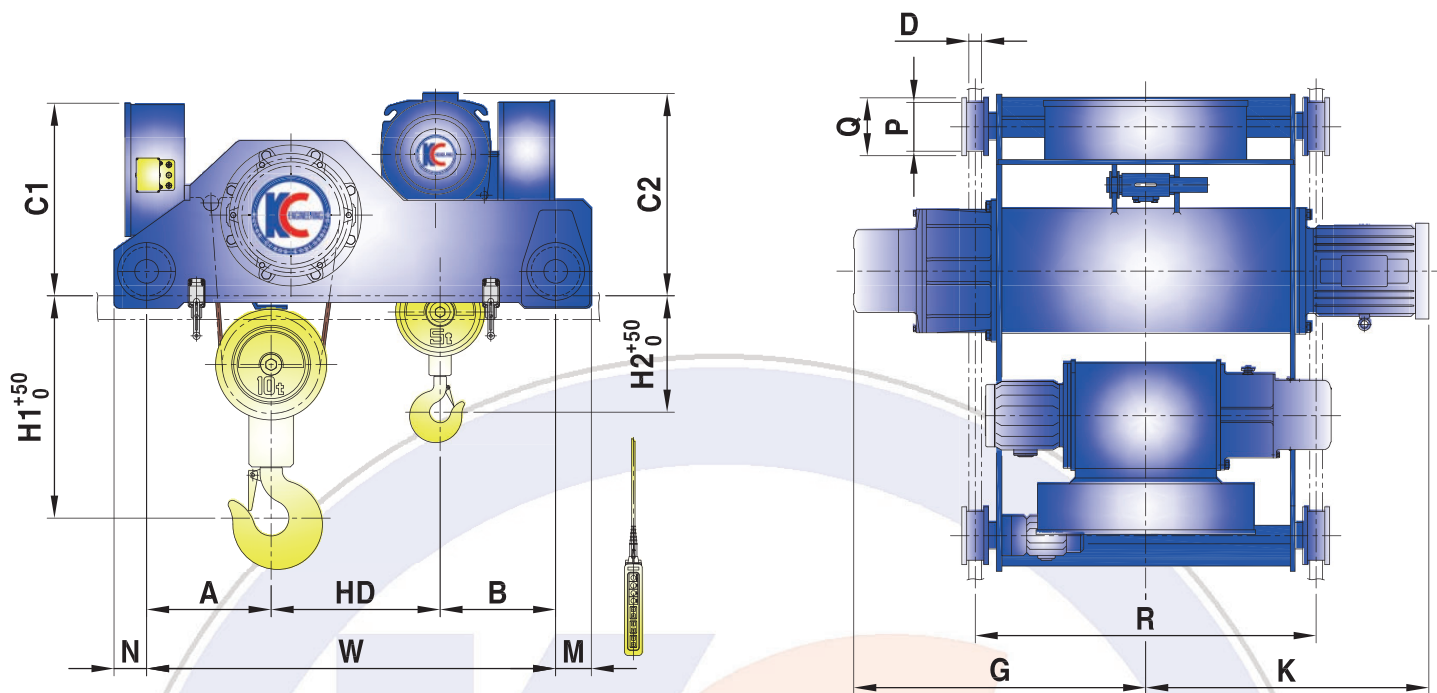
Double Low Head Type Hoist(Creep)



Capacity (ton)		2	3	5	7.5	10	15	
Model No.		DL02-C-H06	DL03-C-H06	DL05-C-H06	DL075-C-H12	DL10-C-H12	DL15-C-H12	
Hoisting	Lift Height (m)	6	6	6	12	12	12	
	Speed (m/min)	50 (Hz)	8.4/0.84	7.5/0.75	4.7/0.47	3.1/0.31	3.7/0.37	3.7/0.37
		60 (Hz)	10/1	9/0.9	5.6/0.56	3.8/0.38	4.5/0.45	4.5/0.45
	Motor (kWxP)	3.7/0.4x4	5.5/1.1x4	5.5/1x6	5.5/1x6	9/1.1x8	13/1.8x8	
	Wire Rope [ϕ xFalls]	Construction	6x37	6x37	6x37	6x37	6x37	6x37
Dia.(mm) x No. of ropes		8x4	9x4	11.2x4	14x4	16x4	20x4	
Brake		DC Magnet Disc Brake						
Traversing	Speed (m/min)	High 50/60 (Hz)	20/24	20/24	20/24	12.5/15	12.5/15	12.5/15
		Low 50/60 (Hz)	13/16	13/16	13/16	8.3/10	8.3/10	8.3/10
	Motor (kWxP)	High	0.75x4	0.75x4	0.75x4	0.75x4	0.75x4	1.5x4
		Low	0.5x6	0.5x6	0.5x6	0.5x6	0.5x6	1x6
Dimension (approx.) (mm)	H	400	495	600	950	920	1250	
	R	950	950	1150	1400	1300	1700	
	A	775	870	950	1230	1230	1080	
	B	560	840	655	835	955	1009	
	C	170	170	205	300	240	260	
	W	750	650	840	1250	1250	1300	
	D	47	47	58	58	58	58	
	P	140	140	165	165	165	180	
	Q	170	170	195	195	195	210	
Weight (approx.) (kg)		460	550	850	950	1300	1950	
Rail		15kg/m	15kg/m	15kg/m	15kg/m	15kg/m	15kg/m	

- All materials applied are suitable in specified ambient temperature.
- KCE Inc reserves the right to alter or amend the above information without notice.
- The size can be changed according to detailed design.

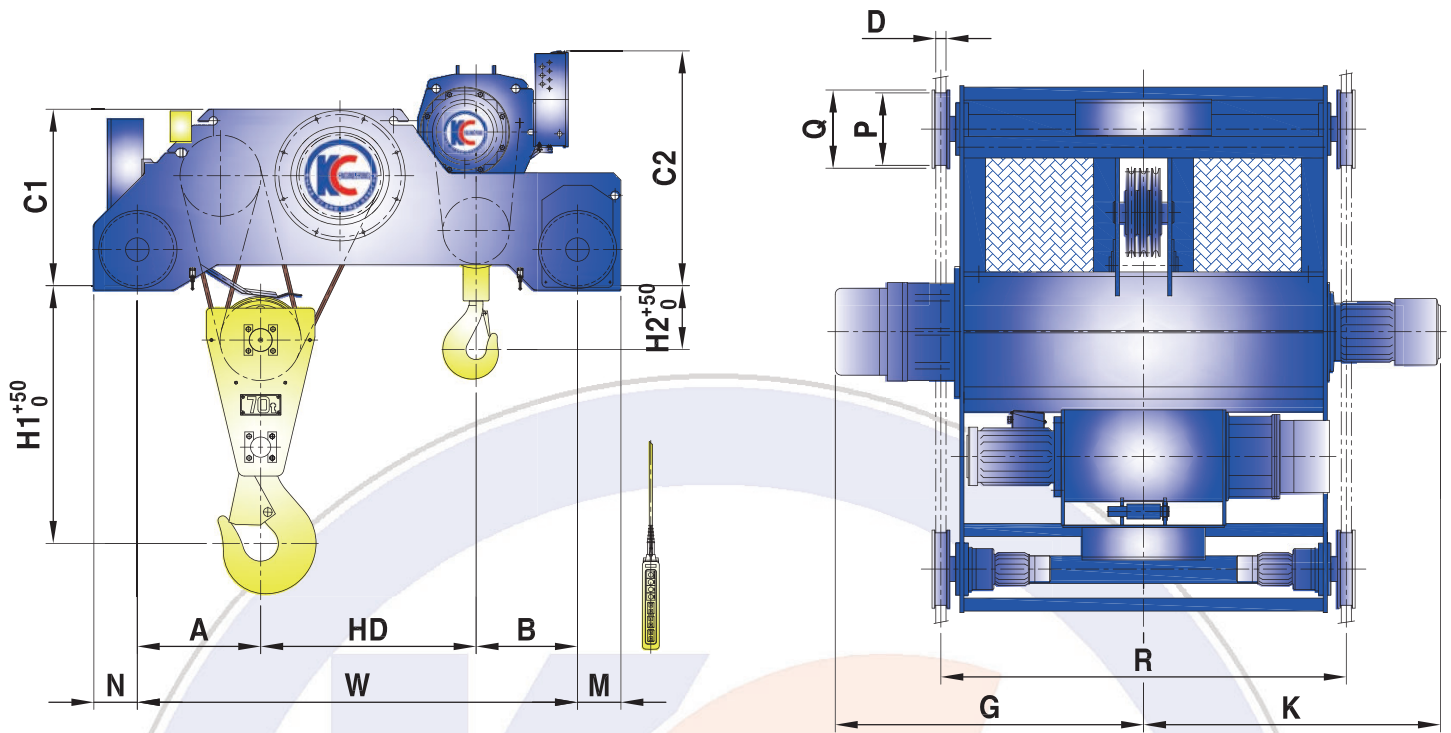
Main & Aux Type Hoist(Normal)



Capacity (ton)		5/3	7.5/3	10/5	15/5	20/5	20/10							
Model No.		D0503-NN-H12	D07503-NN-H12	D1005-NN-H12	D1505-NN-H12	D2005-NN-H12	D2010-NN-H12							
Hoisting	Lift Height (m)	12		12		12								
	Speed (m/min)	High 50/60 (Hz)	4.7/5.6	7.5/9	3.1/3.8	7.5/9	3.7/4.5	4.7/5.6	3.7/4.5	4.7/5.6	3.5/4.2	4.7/5.6	3.5/4.2	3.7/4.5
		Low 50/60 (Hz)	3.5/4.2	3.7/4.5	2.3/2.8	3.7/4.5	2.5/3	3.5/4.2	2.5/3	3.5/4.2	2.5/2.8	3.5/4.2	2.5/2.8	2.5/3
	Motor (kWxP)	High	5.5x6	5.5x4	5.5x6	5.5x4	9x8	5.5x6	13x8	5.5x6	17x8	5.5x6	17x8	9x8
		Low	4.2x8	2.8x8	4.2x8	2.8x8	6x12	4.2x8	8.5x12	4.2x8	11.5x12	4.2x8	11.5x12	6x12
	Wire Rope [Φ xFalls]	Construction	6x37	6x37	6x37	6x37	6x37	6x37	6x37	6x37	6x37	6x37	6x37	6x37
Dia.(mm) x No. of ropes		12.5x4	12.5x2	14x4	12.5x2	16x4	16x2	20x4	16x2	22.4x4	16x2	22.4x4	16x4	
Brake		DC Magnet Disc Brake												
Traversing	Speed (m/min)	High 50/60 (Hz)	20/24		12.5/15		12.5/15		12.5/15		12.5/15		12.5/15	
		Low 50/60 (Hz)	13/16		8.3/10		8.3/10		8.3/10		8.3/10		8.3/10	
	Motor (kWxP)	High	0.75x4		0.75x4		0.75x4		1.5x4		1.5x4		1.5x4	
Low		0.5x6		0.5x6		0.5x6		1x6		1x6		1x6		
Dimension (approx.) (mm)	H1	510		730		775		995		1175		1175		
	H2	270		350		390		365		350		425		
	R	1150		1150		1150		1200		1300		1300		
	HD	485		570		600		645		700		775		
	A	370		420		460		425		570		570		
	B	365		390		400		450		450		630		
	C1	550		550		695		860		900		900		
	C2	845		725		905		930		935		1180		
	G	935		925		975		1075		1165		1165		
	K	885		870		1060		1065		1210		1210		
	W	1220		1380		1460		1520		1720		1980		
	D	47		58		58		58		58		58		
	M	110		110		110		130		170		170		
	N	125		120		120		140		170		170		
	P	165		165		165		180		220		220		
Q	190		195		195		210		250		250			
Weight (approx.) (kg)		1285		1600		1830		2475		2925		3475		
Rail		15kg/m		15kg/m		15kg/m		22kg/m		22kg/m		22kg/m		

- All materials applied are suitable in specified ambient temperature.
- KCE Inc reserves the right to alter or amend the above information without notice.
- The size can be changed according to detailed design.

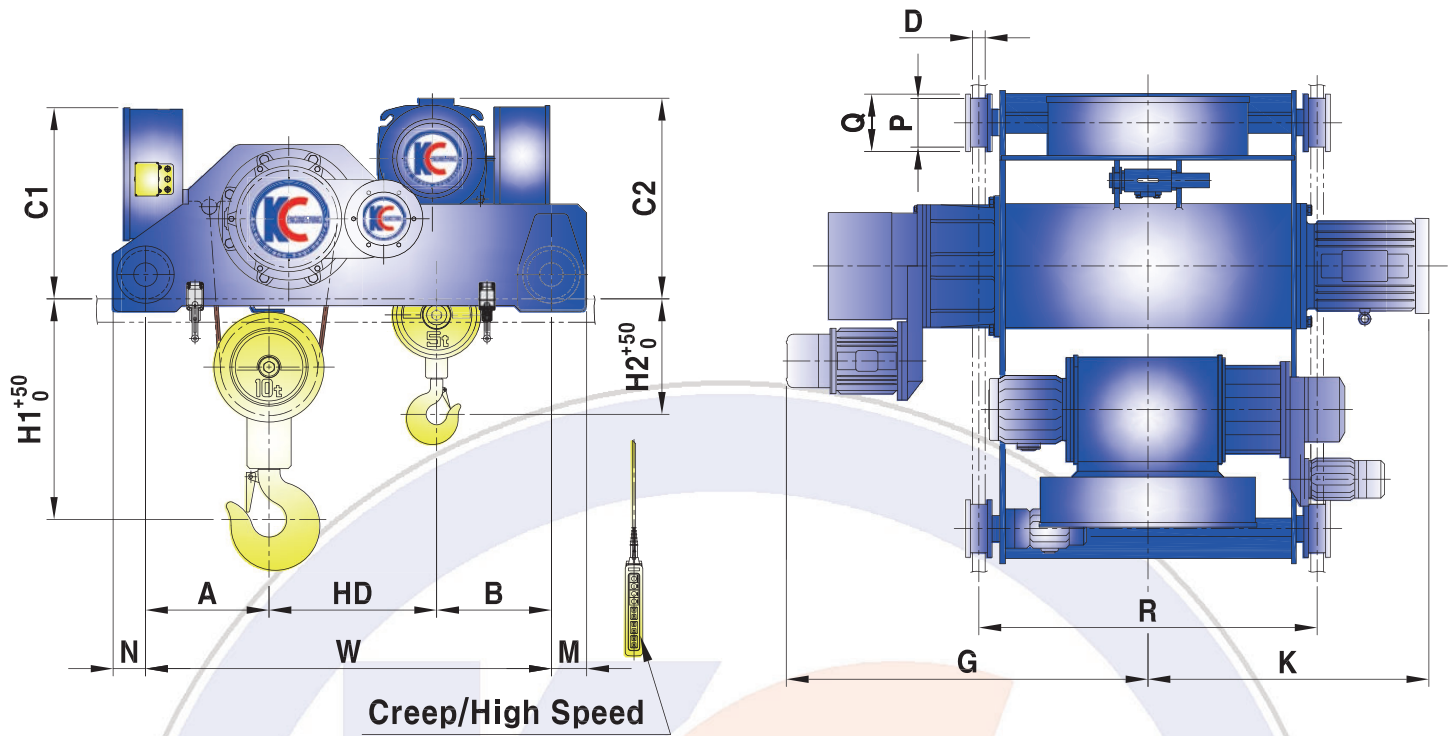
Main & Aux Type Hoist(Normal)



Capacity (ton)		30/10	35/10	40/10	50/10	60/20	70/20	
Model No.		D3010-NN-H12	D3510-NN-H12	D4010-NN-H12	D5010-NN-H12	D6020-NN-H12	D7020-NN-H12	
Hoisting	Lift Height (m)	12		12		12		
	Speed (m/min)	High 50/60 (Hz)	2.3/2.8	3.7/4.5	4/4.8	3.7/4.5	2.7/3.2	3.7/4.5
		Low 50/60 (Hz)	1.5/1.8	2.5/3	3.5/4.2	2.5/3	2.5/3	2/2.4
	Motor (kWxP)	High	17x8	9x8	33x6	9x8	33x6	9x8
		Low	11.5x12	6x12	6x12	6x12	6x12	11.5x12
Wire Rope [Φ x Falls]	Construction	6x37	6x37	6xFi(25)	6x37	6xFi(25)	6x37	
	Dia.(mm) x No. of ropes	22.4x6	16x4	28x4	16x4	28x4	16x4	
Brake		DC Magnet Disc Brake						
Traversing	Speed (m/min)	High 50/60 (Hz)	12.5/15	12.5/15	12.5/15	12.5/15	12.5/15	
		Low 50/60 (Hz)	8.3/10	8.3/10	8.3/10	8.3/10	8.3/10	
Motor (kWxP)	High	1.5x4 (2unit)	2.2x4	2.2x4	2.2x4 (2unit)	2.2x4 (2unit)	3.7x4 (2unit)	
	Low	1x6 (2unit)	1.5x6	1.5x6	1.5x6 (2unit)	1.5x6 (2unit)	2.2x6 (2unit)	
Dimension (approx.) (mm)	H1	1480	1490	1490	1680	1780	1780	
	H2	430	420	420	50	330	330	
	R	1800	1600	1600	2300	2800	2800	
	HD	1010	1100	1100	1300	1378	1378	
	A	780	740	740	968	968	968	
	B	550	560	560	657	579	579	
	C1	980	1013	1013	1220	1220	1220	
	C2	995	1333	1333	1460	1750	1750	
	G	1425	1455	1455	1780	2030	2030	
	K	1480	1360	1360	1715	1965	1965	
	W	2340	2400	2400	2925	2925	2925	
	D	70	70	70	80	80	80	
	M	160	215	215	275	275	275	
N	180	215	215	275	275	275		
P	250	355	355	450	450	500		
Q	280	395	395	490	490	540		
Weight (approx.) (kg)		4670	6400	6400	8200	10930	11080	
Rail		30kg/m	37kg/m	37kg/m	73kg/m	73kg/m	73kg/m	

- All materials applied are suitable in specified ambient temperature.
- KCE Inc reserves the right to alter or amend the above information without notice.
- The size can be changed according to detailed design.

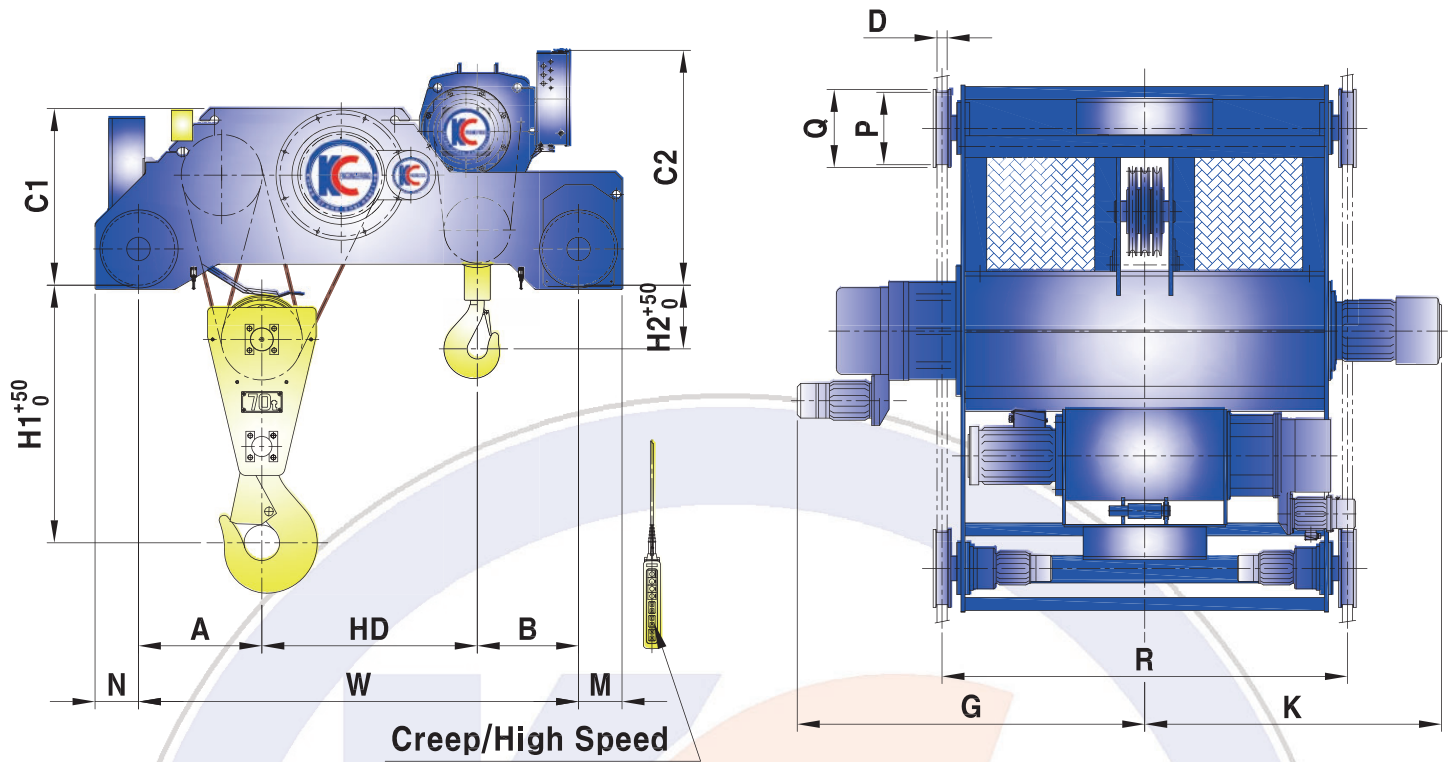
Main & Aux Type Hoist(Creep)



Capacity (ton)		5/3	7.5/3	10/5	15/5	20/5	20/10						
Model No.		D0503-CC-H12	D07503-CC-H12	D1005-CC-H12	D1505-CC-H12	D2005-CC-H12	D2010-CC-H12						
Hoisting	Lift Height (m)	12		12		12							
	Speed (m/min)	50 (Hz)	4.7/0.47	7.5/0.75	3.1/0.31	7.5/0.75	3.7/0.37	4.7/0.47	3.5/0.35	4.7/0.47	3.5/0.35	3.7/0.37	
		60 (Hz)	5.6/0.56	9/0.9	3.8/0.38	9/0.9	4.5/0.45	5.6/0.56	4.5/0.45	5.6/0.56	4.2/0.42	5.6/0.56	4.2/0.42
	Motor (kWxP)	5.5/1x6	5.5/1.1x4	5.5/1x6	5.5/1.1x4	9/1.1x8	5.5/1x6	13/1.8x8	5.5/1x6	17/1.8x8	5.5/1x6	17/1.8x8	9/1.1x8
	Wire Rope [φ x Falls]	Construction	6x37	6x37	6x37	6x37	6x37	6x37	6x37	6x37	6x37	6x37	6x37
		Dia.(mm) x No. of ropes	12.5x4	12.5x2	14x4	12.5x2	16x4	16x2	20x4	16x2	22.4x4	16x2	22.4x4
Brake	DC Magnet Disc Brake												
Traversing	Speed (m/min)	High 50/60 (Hz)	20/24	12.5/15	12.5/15	12.5/15	12.5/15	12.5/15	12.5/15	12.5/15	12.5/15	12.5/15	
		Low 50/60 (Hz)	13/16	8.3/10	8.3/10	8.3/10	8.3/10	8.3/10	8.3/10	8.3/10	8.3/10	8.3/10	
	Motor (kWxP)	High	0.75x4	0.75x4	0.75x4	1.5x4	1.5x4	1.5x4					
	Low	0.5x6	0.5x6	0.5x6	1x6	1x6	1x6						
Dimension (approx.) (mm)	H1	510	730	775	995	1175	1175						
	H2	270	350	390	365	350	425						
	R	1150	1150	1150	1200	1300	1300						
	HD	485	570	600	645	700	775						
	A	370	420	460	425	570	575						
	B	365	390	400	450	450	630						
	C1	550	550	695	860	900	900						
	C2	845	725	905	930	935	1180						
	G	1170	1185	1275	1385	1480	1480						
	K	885	870	1060	1065	1210	1210						
	W	1220	1380	1460	1520	1720	1980						
	D	47	58	58	58	58	58						
	M	110	110	110	130	170	170						
	N	125	120	120	140	170	170						
	P	165	165	165	180	220	220						
Q	190	195	195	210	250	250							
Weight (approx.) (kg)	1385	1690	1950	2605	3070	3600							
Rail	15kg/m	15kg/m	15kg/m	22kg/m	22kg/m	22kg/m							

- All materials applied are suitable in specified ambient temperature.
- KCE Inc reserves the right to alter or amend the above information without notice.
- The size can be changed according to detailed design.

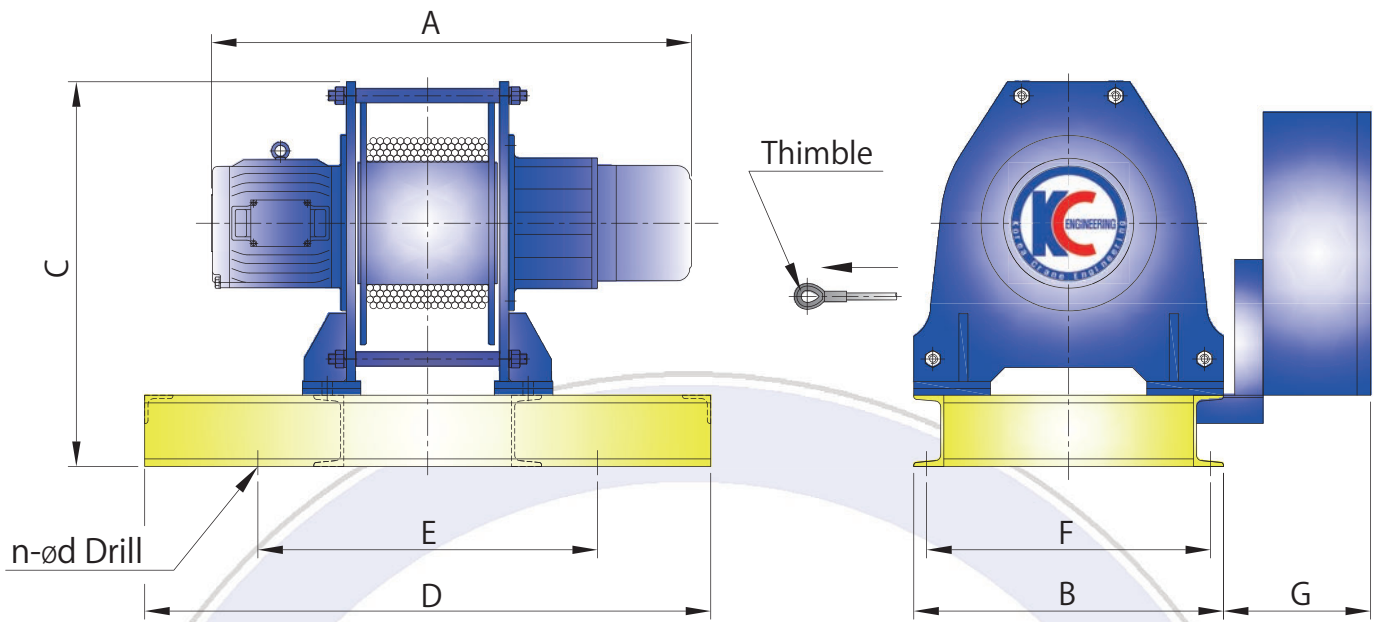
Main & Aux Type Hoist(Creep)



Capacity (ton)		30/10		35/10		40/10		50/10		60/20		70/20		
Model No.		D3010-CC-H12		D3510-CC-H12		D4010-CC-H12		D5010-CC-H12		D6020-CC-H12		D7020-CC-H12		
Hoisting	Lift Height (m)	12		12		12		12		12		12		
	Speed (m/min)	50 (Hz)	2.3/0.23	3.7/0.37	4/0.4	3.7/0.37	3.5/0.35	3.7/0.37	2.7/0.27	3.7/0.37	2/0.2	3.5/0.35	2/0.2	3.5/0.35
		60 (Hz)	2.8/0.28	4.5/0.45	4.8/0.48	4.5/0.45	4.2/0.42	4.5/0.45	3.2/0.32	4.5/0.45	2.4/0.24	4.2/0.42	2.4/0.24	4.2/0.42
	Motor (kWxP)	17/1.8x8	9/1.1x8	33/3.7x6/4	9/1.1x8	33/3.7x6/4	9/1.1x8	33/3.7x6/4	9/1.1x8	33/3.7x6/4	17/1.8x8	33/3.7x6/4	17/1.8x8	33/3.7x6/4
	Wire Rope [φx Falls]	Construction	6x37	6x37	6xFi(25)	6x37	6xFi(25)	6x37	6xFi(25)	6x37	6xFi(25)	6x37	6xFi(25)	6x37
Dia.(mm) x No. of ropes		22.4x6	16x4	28x4	16x4	28x4	16x4	28x6	16x4	28x8	22.4x4	28x8	22.4x4	
Brake		DC Magnet Disc Brake												
Traversing	Speed (m/min)	High 50/60 (Hz)	12.5/15	12.5/15	12.5/15	12.5/15	12.5/15	12.5/15	12.5/15	12.5/15	12.5/15	12.5/15	12.5/15	
		Low 50/60 (Hz)	8.3/10	8.3/10	8.3/10	8.3/10	8.3/10	8.3/10	8.3/10	8.3/10	8.3/10	8.3/10	8.3/10	
Motor (kWxP)	High	1.5x4 (2unit)	2.2x4	2.2x4	2.2x4	2.2x4 (2unit)	2.2x4 (2unit)	2.2x4 (2unit)	2.2x4 (2unit)	2.2x4 (2unit)	3.7x4 (2unit)	2.2x6 (2unit)		
	Low	1x6 (2unit)	1.5x6	1.5x6	1.5x6	1.5x6 (2unit)	1.5x6 (2unit)	1.5x6 (2unit)	1.5x6 (2unit)	1.5x6 (2unit)	2.2x6 (2unit)			
Dimension (approx.) (mm)	H1	1480	1490	1490	1680	1780	1780							
	H2	430	420	420	50	330	330							
	R	1800	1600	1600	2300	2800	2800							
	HD	1010	1100	1100	1300	1378	1378							
	A	780	740	740	968	968	968							
	B	550	560	560	657	579	579							
	C1	980	1013	1013	1220	1220	1220							
	C2	995	1333	1333	1460	1750	1750							
	G	1740	1735	1735	2060	2310	2310							
	K	1470	1360	1360	1715	1965	1965							
	W	2340	2400	2400	2925	2925	2925							
	D	70	70	70	80	80	80							
	M	160	215	215	275	275	275							
N	180	215	215	275	275	275								
P	250	355	355	450	450	500								
Q	280	395	395	490	490	540								
Weight (approx.) (kg)		4820	6070	6070	8500	11290	11440							
Rail		30kg/m	37kg/m	37kg/m	73kg/m	73kg/m	73kg/m							

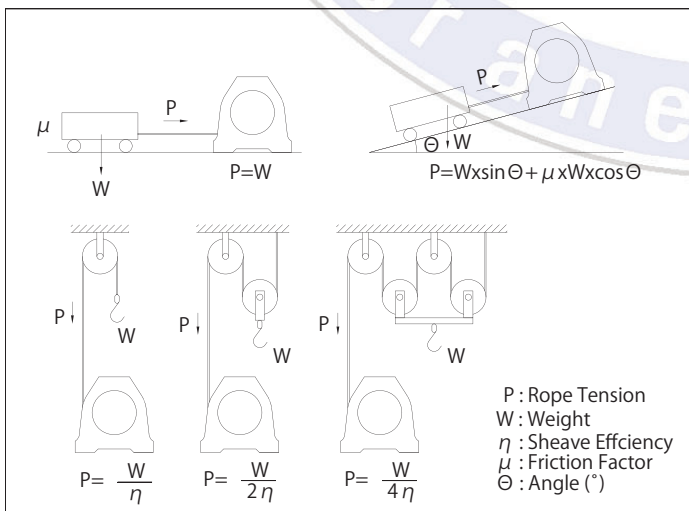
- All materials applied are suitable in specified ambient temperature.
- KCE Inc reserves the right to alter or amend the above information without notice.
- The size can be changed according to detailed design.

Electric Wire Rope Winch



Capacity (kg)		500	1000	2000	3000	5000	7000
Model No.		KCEW005	KCEW010	KCEW020	KCEW030	KCEW050	KCEW070
Lifting	Height (m)	50	100	100	100	100	100
	Speed (m/min) 50/60 (Hz)	20/24	17/20	15/18	10/12	8/10	8/10
	Motor (kWxP)	2.4x4	3.7x4	5.5x4	5.5x6	9x8	13x8
	Wire Rope (Ø)	Ø9	Ø12	Ø16	Ø18	Ø20	Ø22.4
	Brake	DC Magnet Disc Brake					
Power Source		AC 220/380/415/440/460/480V x 50/60HZ x 3ph					
Dimension (app.) (mm)	A	800	875	1180	1305	1805	1875
	B	440	560	560	740	600	830
	C	530	680	690	825	840	1070
	D	850	1000	1000	1000	2000	2180
	E	400	600	600	600	1600	1600
	F	404	500	500	680	540	750
	G	220	220	220	230	230	260
	n x Ød	4x18	6x18.5	6x18.5	6x20	8x27	8x32
Weight (approx.) (kg)		200	278	360	460	860	1800

Rope Tension

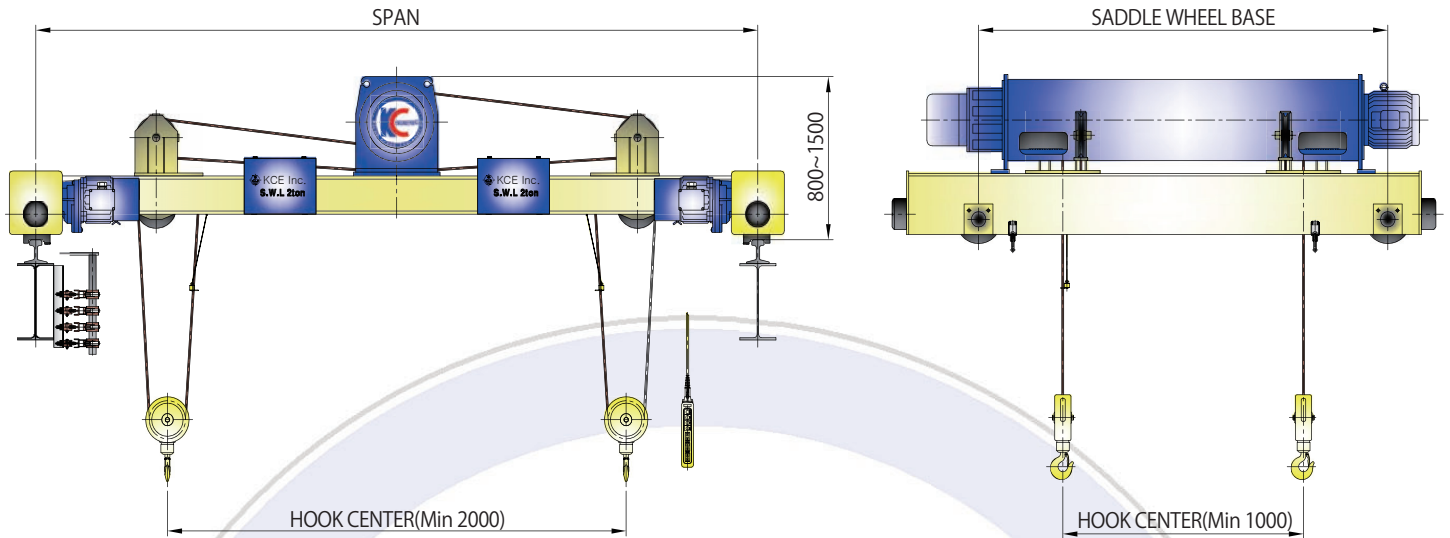


How to select wire rope winch

- Rope Tension ----- Calculation rope tension (Left pic.)
- Rope Distance ----- Calculation rope distance from load moving distance
- Power ----- Choice power source
- Control ----- Pendant Push Button Switch
Remote Control

- All materials applied are suitable in specified ambient temperature.
- KCE Inc reserves the right to alter or amend the above information without notice.
- The size can be changed according to detailed design.

Multi Rope Synchronized Crane



Capacity (ton)		2	3	5	7.5	10	
FEM / ISO / CMAA		2m / M5 / CLASS C					
Span (m)		2.5 ~ 15	2.5 ~ 15	2.5 ~ 15	2.5 ~ 15	2.5 ~ 15	
Hoisting	Speed (m/min)	High 50/60 (Hz)	8.3/10	7.5/9	4.6/5.6	3.1/3.8	3.7/4.5
		Low 50/60 (Hz)	4.1/5	3.7/4.5	3.5/4.2	2.3/2.8	2.5/3
		Creep 50/60 (Hz)	0.83/1	0.75/0.9	0.46/0.56	0.31/0.38	0.37/0.45
	Motor (kWxP)	High	3.7x4	5.5x4	5.5x6	5.5x6	9x8
		Low	1.8x8	2.8x8	4.2x8	4.2x8	6x12
Creep		0.4x4	1.1x4	1x6	1x6	1.1x8	
Brake		DC Magnet Disc Brake					
Traversing	Speed (m/min)	High 50/60 (Hz)	18/22				
		Low 50/60 (Hz)	12/15				
	Motor (kWxP)	High	0.75x4 (2unit)			1.5x4 (2unit)	
		Low	0.5x6 (2unit)			1.0x6 (2unit)	
Brake		DC Magnet Disc Brake					
Traversing wheel [mm]		Ø160 (S45CN)		Ø160~200 (S45CN)		Ø200~250 (S45CN)	
Lift Height(m)		3 ~ 10					
Power source		AC 220/380/415/440/460/480V x 50/60HZ x 3ph					
Control source		AC 110V/48V					
Control method		Pendant Push Button S/W / Remote Control					
Wire rope [Ø]		(6x37)+FC "B" Ø6	(6x37)+FC "B" Ø6	(6x37)+FC "B" Ø8	(6x37)+FC "B" Ø10	(6x37)+FC "B" Ø12.5	
Traversing rail		S.B 40, 50 / Crane rail JIS 15, 22, 30 kg/m					
Painting color		SSPC-SP-10(SA 2 1/2) SHOT BLAST, 2.5Y 8/12(YELLOW 175micro)					
Protection		IP 54					
Motor insulation		B CLASS					
Safety Device		Load Limit, Weight type Limit, Travers & Travel Limit, EM' Stop Switch					

- All materials applied are suitable in specified ambient temperature.
- KCE Inc reserves the right to alter or amend the above information without notice.
- The size can be changed according to detailed design.